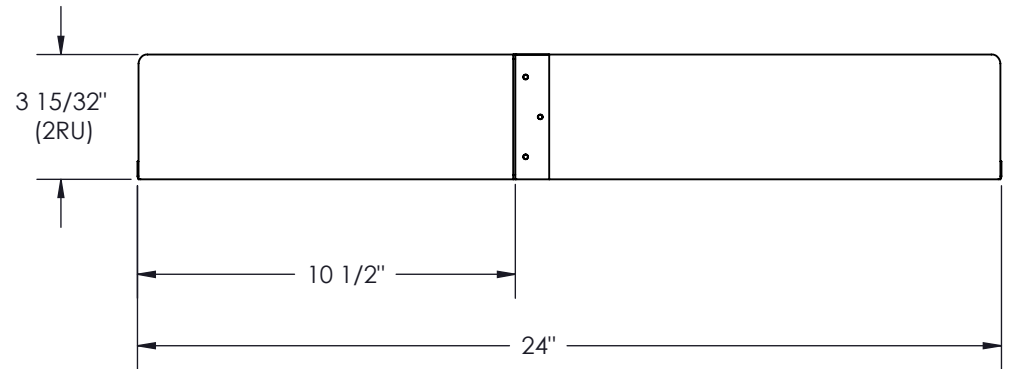
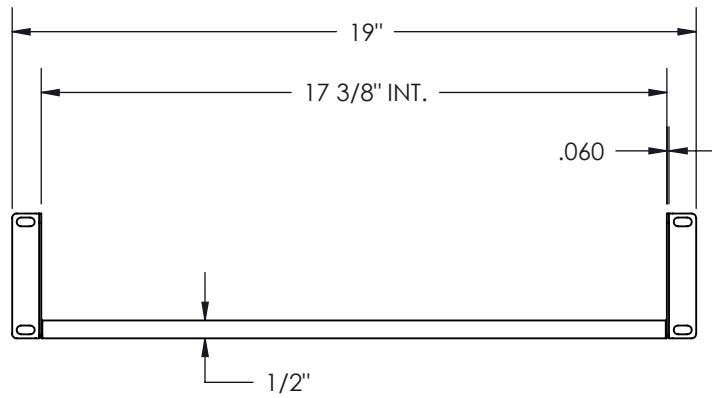



NOTE:
CAPACITÉ = 50LBS



 PROPRIETARY AND CONFIDENTIAL THE INFORMATION CONTAINED IN THIS DRAWING IS THE SOLE PROPERTY OF A.I.G. ELECTRON METAL INC. ANY REPRODUCTION IN PART OR AS A WHOLE WITHOUT THE WRITTEN PERMISSION OF A.I.G. ELECTRON METAL INC IS PROHIBITED.	CONFIDENTIEL L'INFORMATION CONTENUE DANS CE DESSIN EST L'ENTIÈRE PROPRIÉTÉ D'ELECTRON METAL A.I.G. INC. TOUTE REPRODUCTION PARTIELLE OU EXHAUSTIVE SANS PERMISSION ÉCRITE D'ELECTRON METAL A.I.G. INC. EST INTERDITE.	DESSINÉ PAR/DRAWN BY:	Title/Titre: TABLETTE MONTAGE CENTRAL (19) x 24		
		VÉRIFIÉ PAR/CHECKED BY:			
		PROJET/PROJECT: Shelves\FixedShelves\MontageCentral	FICHER/FILE: CenterMntShf19x24_1305028300_FR	RÉV./REV.: -	
		NO. DE PIÈCE/PART NO.: SHFCMT-190224	NO. DE DESSIN/DRAWING NO.: 1305028300	ÉCHELLE/SCALE: 3:16	DATE: 2010-06-29
					PAGE/SHEET: 1 / 1