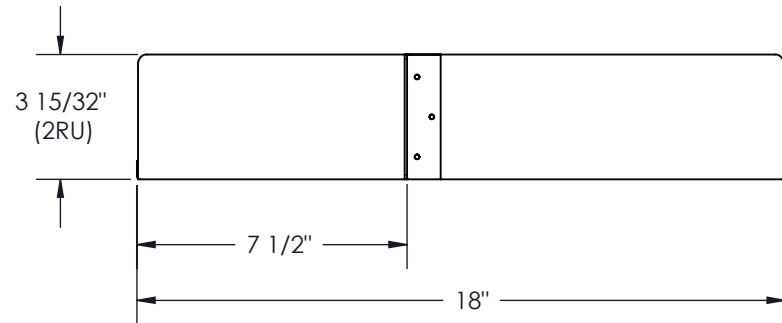
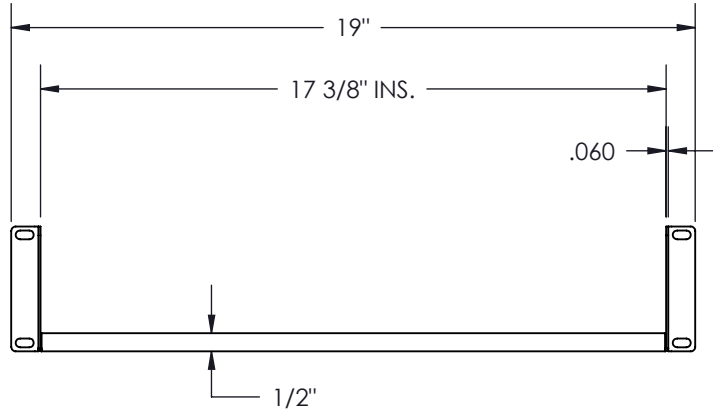


NOTE:  
CAPACITY = 50LBS



 <p><b>PROPRIETARY AND CONFIDENTIAL</b> THE INFORMATION CONTAINED IN THIS DRAWING IS THE SOLE PROPERTY OF A.I.G. ELECTRON METAL INC. ANY REPRODUCTION IN PART OR AS A WHOLE WITHOUT THE WRITTEN PERMISSION OF A.I.G. ELECTRON METAL INC IS PROHIBITED.</p> <p><b>CONFIDENTIEL</b> L'INFORMATION CONTENUE DANS CE DESSIN EST L'ENTIÈRE PROPRIÉTÉ D'ELECTRON METAL A.I.G. INC. TOUTE REPRODUCTION PARTIELLE OU EXHAUSTIVE SANS PERMISSION ÉCRITE D'ELECTRON METAL A.I.G. INC. EST INTERDITE.</p>		DESSINÉ PAR/DRAWN BY:	Title/Titre: <b>CENTER MOUNT SHELF (19) x 18</b>		
		VÉRIFIÉ PAR/CHECKED BY:			
PROJET/PROJECT: <b>Shelves\FixedShelves</b>		FICHER/FILE: <b>CenterMntShf19x18_1305025428_ENG</b>		RÉV./REV.:	—
NO. DE PIÈCE/PART NO.:	NO. DE DESSIN/DRAWING NO.:	ÉCHELLE/SCALE:	DATE:	PAGE/SHEET:	
<b>SHFCMT-190218</b>	<b>1305023656</b>	<b>3:16</b>	<b>2008-02-12</b>	<b>1 / 1</b>	