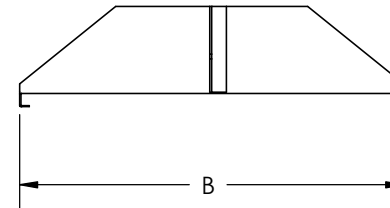
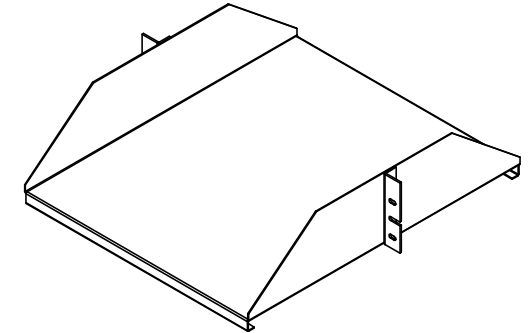
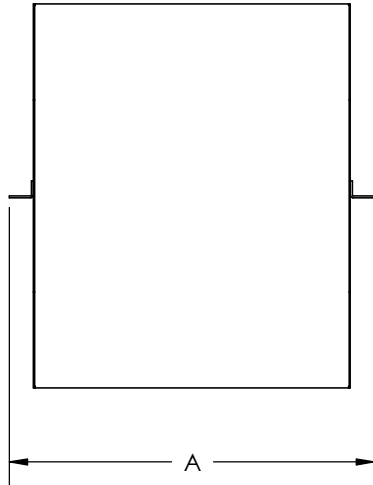


DESCRIPTION	PART NO.	A	B
SHELF 19 x 18	SHDCMT-190318	19	18
SHELF 19 x 20	SHDCMT-190320	19	20
SHELF 19 x 26	SHDCMT-190326	19	26
SHELF 19 x 28	SHDCMT-190328	19	28
SHELF 23 x 20	SHDCMT-230320	23	20



PROPRIETARY AND CONFIDENTIAL
 THE INFORMATION CONTAINED IN THIS DRAWING IS THE SOLE PROPERTY OF A.I.G. ELECTRON METAL INC. ANY REPRODUCTION IN PART OR AS A WHOLE WITHOUT THE WRITTEN PERMISSION OF A.I.G. ELECTRON METAL INC IS PROHIBITED.

CONFIDENTIEL
 L'INFORMATION CONTENUE DANS CE DESSIN EST L'ENTIERE PROPRIÉTÉ D'ELECTRON METAL A.I.G. INC. TOUTE REPRODUCTION PARTIELLE OU EXHAUSTIVE SANS PERMISSION ÉCRITE D'ELECTRON METAL A.I.G. INC. EST INTERDITE.

DESSINÉ PAR/DRAWN BY:		TITRE/TITLE: HEAVYDUTY CENTER MOUNT SHELF	
VÉRIFIER PAR/CHECKED BY:			
PROJET/PROJECT: Shelves\HeavyDuty		FICHER/FILE: CMSHHD19x20_1305025426_Eng	REV./REV.
MATÉRIEL/MATERIAL: 16 GA. CRS	NO. DESSIN/DWG NO.: 1305025426	ÉCHELLE/SCALE: 1:10	DATE: