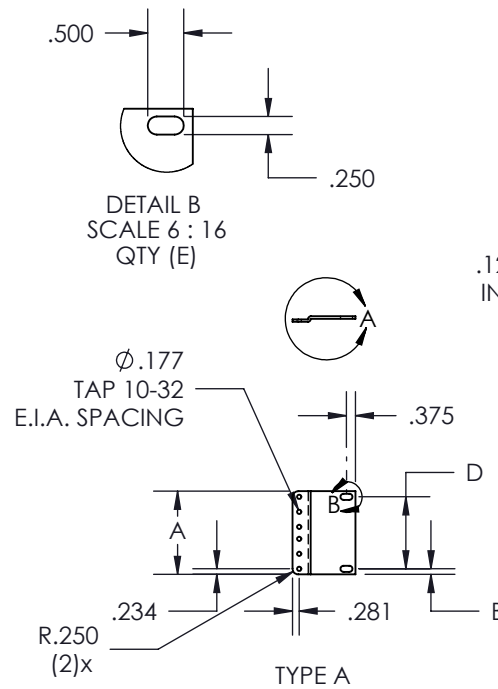
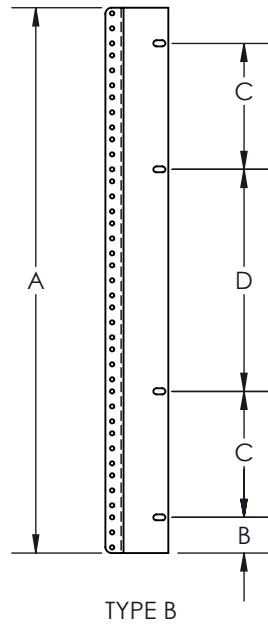
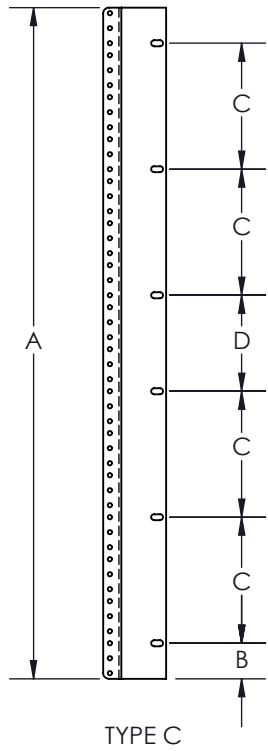



DESCRIPTION	PART NO.	TYPE	A	B	C	D	QTY (E)
1RU ADAPTOR (1.75")	RALABR-020100	A	1 23/32	.234		1.250	2
2RU ADAPTOR (3.5")	RALABR-020200	A	3 15/32	.234		3.000	2
3RU ADAPTOR (5.25")	RALABR-020300	A	5 7/32	1.484		2.250	2
4RU ADAPTOR (7")	RALABR-020400	A	6 31/32	1.484		4.000	2
5RU ADAPTOR (8.75")	RALABR-020500	A	8 23/32	1.484		5.750	2
6RU ADAPTOR (10.5")	RALABR-020600	B	10 15/32	1.484	2.250	3.000	4
7RU ADAPTOR (12.25")	RALABR-020700	B	12 7/32	1.484	3.500	2.250	4
8RU ADAPTOR (14")	RALABR-020800	B	13 31/32	1.484	4.000	3.000	4
9RU ADAPTOR (15.75")	RALABR-020900	B	15 23/32	1.484	4.000	4.750	4
13RU ADAPTOR (22.75")	RALABR-021300	B	22 23/32	1.484	5.250	9.250	4
16RU ADAPTOR (28")	RALABR-021600	C	27 31/32	1.484	5.250	4.000	6



 <p>PROPRIETARY AND CONFIDENTIAL THE INFORMATION CONTAINED IN THIS DRAWING IS THE SOLE PROPERTY OF A.I.G. ELECTRON METAL INC. ANY REPRODUCTION IN PART OR AS A WHOLE WITHOUT THE WRITTEN PERMISSION OF A.I.G. ELECTRON METAL INC IS PROHIBITED.</p>	<p>CONFIDENTIEL L'INFORMATION CONTENUE DANS CE DESSIN EST L'ENTIERE PROPRIÉTÉ D'ELECTRON METAL A.I.G. INC. TOUTE REPRODUCTION PARTIELLE OU EXHAUSTIVE SANS PERMISSION ÉCRITE D'ELECTRON METAL A.I.G. INC. EST INTERDITE.</p>	DESSINÉ PAR/DRAWN BY:	TITRE/TITLE: ADAPTOR BRACKET 23" TO 19" RACKMOUNT		
		VÉRIFIÉ PAR/CHECKED BY:	PROJET/PROJECT: Accessories\MgtAccessories	FICHER/FILE: AdaptorBkt_1090_ENG	RÉV./REV. B
MATÉRIEL/MATERIAL: 12 GA.CRS	NO. DESSIN/DWG NO.: 1090	ÉCHELLE/SCALE: 1:8	DATE: 2008-02-08	PAGE: 1 / 1	