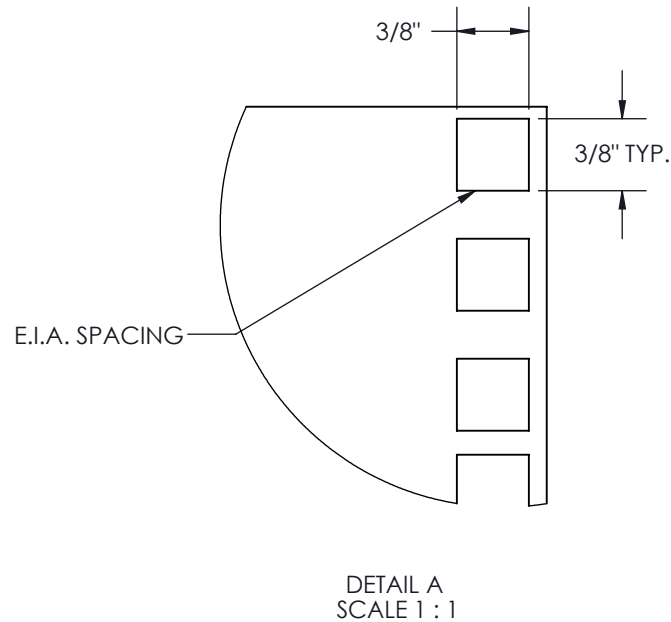
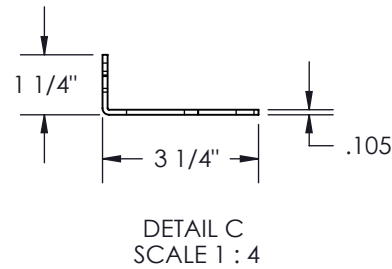
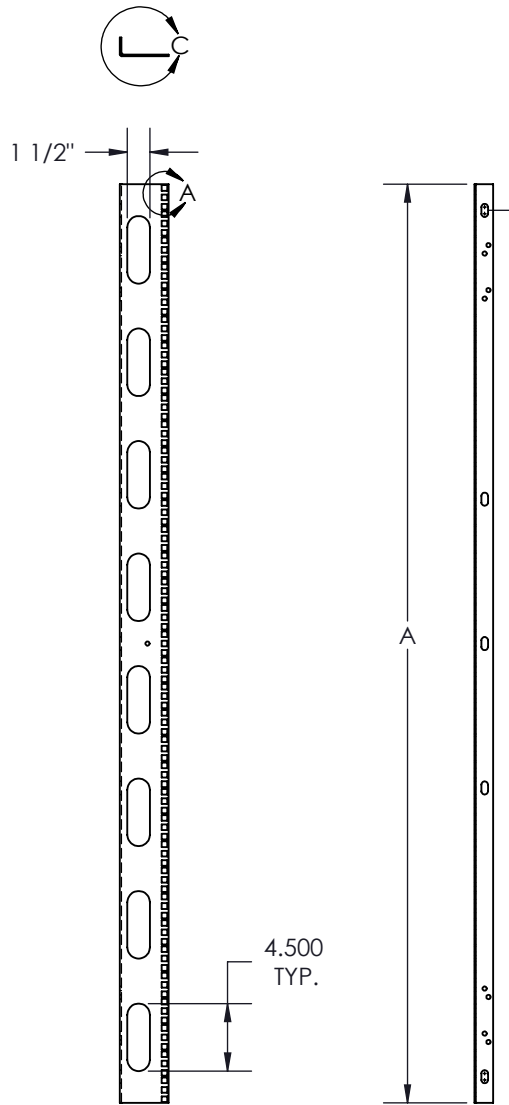


DESCRIPTION	PART NO.	A
(70) RAIL	PMACAC-034000	70
(77) RAIL	PMACAC-034400	77
(84) RAIL	PMACAC-034800	84



 PROPRIETARY AND CONFIDENTIAL THE INFORMATION CONTAINED IN THIS DRAWING IS THE SOLE PROPERTY OF A.I.G. ELECTRON METAL INC. ANY REPRODUCTION IN PART OR AS A WHOLE WITHOUT THE WRITTEN PERMISSION OF A.I.G. ELECTRON METAL INC IS PROHIBITED.	CONFIDENTIEL L'INFORMATION CONTENUE DANS CE DESSIN EST L'ENTIERE PROPRIÉTÉ D'ELECTRON METAL A.I.G. INC. TOUTE REPRODUCTION PARTIELLE OU EXHAUSTIVE SANS PERMISSION ÉCRITE D'ELECTRON METAL A.I.G. INC. EST INTERDITE.	DESSINÉ PAR/DRAWN BY:	TITRE/TITLE: MOUNTING RAIL 3.25" CAGE-NUTS / CUTOUTS				
		VÉRIFIÉ PAR/CHECKED BY:					
		PROJET/PROJECT: Accessories\MtgRails	FICHER/FILE: StdCageNutsDecoupages3p250_1305021159_ENG				
		MATÉRIEL/MATERIAL: 12 GA. CRS	NO. DESSIN/DWG NO.: 1305021159	RÉV./REV.: E	ÉCHELLE/SCALE: 5:64	DATE: 2008-02-04	PAGE/SHEET: 1 / 1