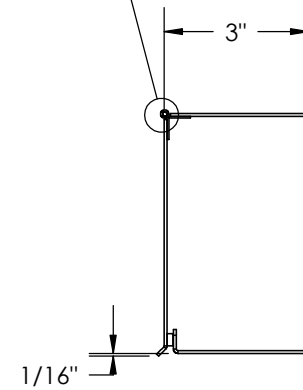
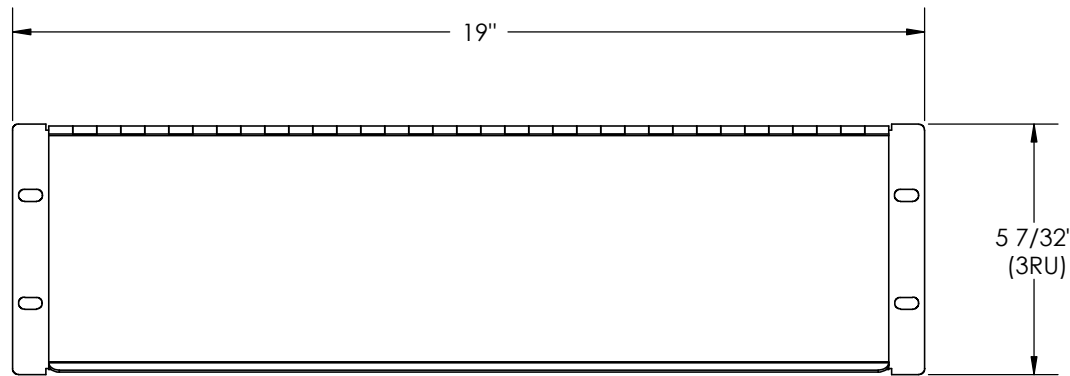
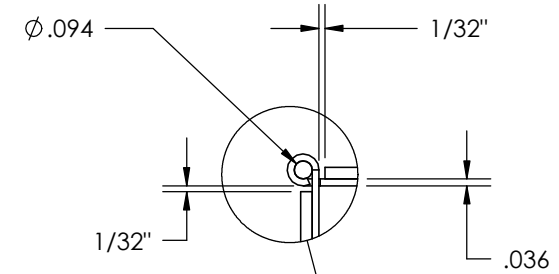
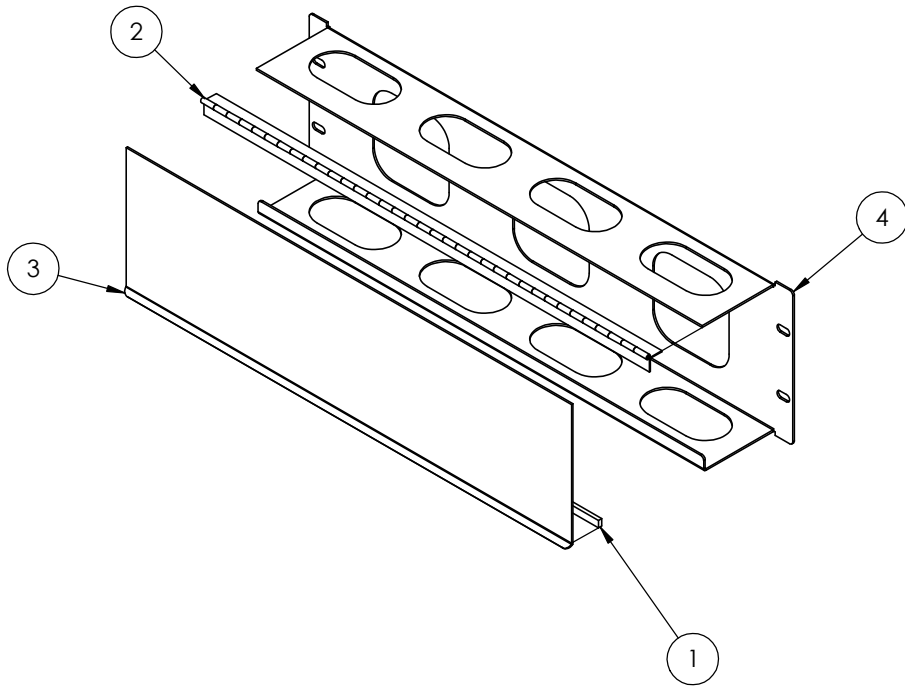


NO.	NOTE	DESCRIPTION	QTY.
1	17.5"	MAGNETIC STRIP 1/8 x 1/4	1
2	17.5" x 1" x .093" x 20 GA	HINGE	1
3	1305021858 - (19 x 5.25)	DOOR	1
4	1305022139	BODY	1



PROPRIETARY AND CONFIDENTIAL
 THE INFORMATION CONTAINED IN THIS DRAWING IS THE SOLE PROPERTY OF ELECTRON METAL INC. ANY REPRODUCTION IN PART OR AS A WHOLE WITHOUT THE WRITTEN PERMISSION OF ELECTRON METAL INC IS PROHIBITED.

CONFIDENTIEL
 L'INFORMATION CONTENUE DANS CE DESSIN EST L'ENTIERE PROPRIÉTÉ D'ELECTRON METAL INC. TOUTE REPRODUCTION PARTIELLE OU EXHAUSTIVE SANS PERMISSION ÉCRITE D'ELECTRON METAL INC EST INTERDITE.

DRAWN BY/DESSINÉ PAR:

CHECKED BY/VERIFIÉ PAR:

Title/Titre:

HORIZONTAL CABLE MGT 19 x 5.25 x 3 x 3

PROJECT/PROJET:

CableMgt\Rackmount\HCMS_V2

FILE/FICHER:

HCMSAssy19x5p25x3_1305022140_ENG

REV./REV.:

-

PART NO./NO. DE PIÉCE:

HCMSTD-190303

DRAWING NO./NO. DE DESSIN:

1305022140

SCALE/ÉCHELLE:

1:4

DATE:

2005-08-19

SHEET/PAGE:

1 / 1