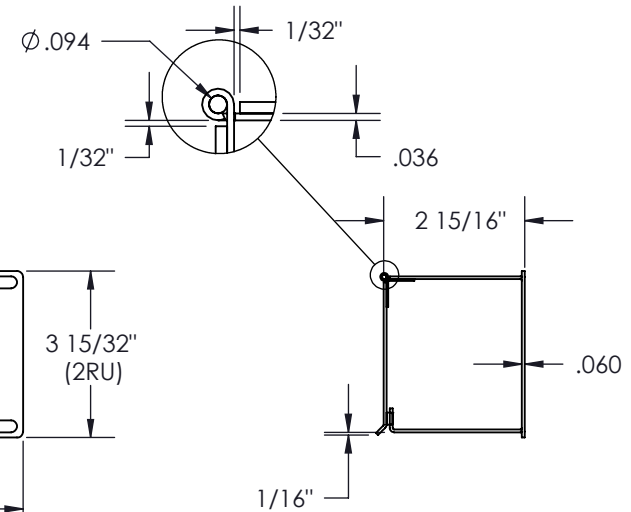
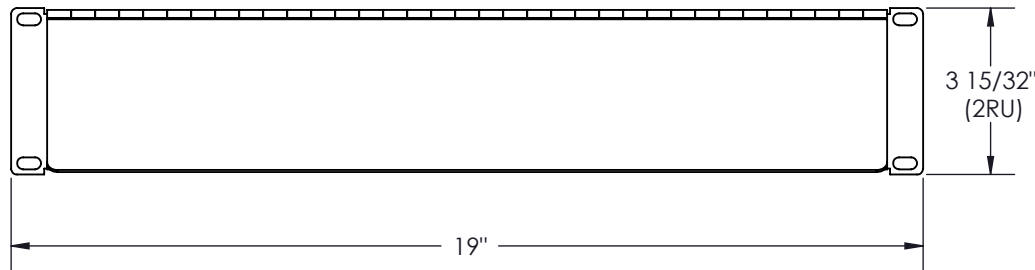
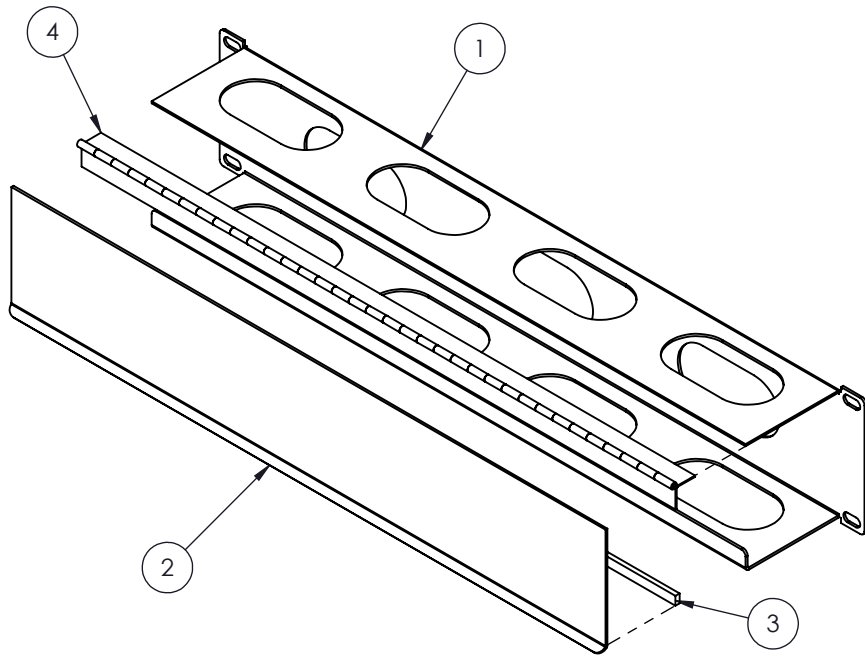



NO.	NOTE	DESCRIPTION	QTY
1	1305021857	BODY	1
2	1305021858 - (19 x 3.5)	DOOR	1
3	17.5"	MAGNETICSTRIP 1/8 x 1/4	1
4	1.25" x .093 x 20 GA	HINGE 17.5"	1



 <p><b>PROPRIETARY AND CONFIDENTIAL</b> THE INFORMATION CONTAINED IN THIS DRAWING IS THE SOLE PROPERTY OF A.I.G. ELECTRON METAL INC. ANY REPRODUCTION IN PART OR AS A WHOLE WITHOUT THE WRITTEN PERMISSION OF A.I.G. ELECTRON METAL INC IS PROHIBITED.</p> <p><b>CONFIDENTIEL</b> L'INFORMATION CONTENUE DANS CE DESSIN EST L'ENTIÈRE PROPRIÉTÉ D'ELECTRON METAL A.I.G. INC. TOUTE REPRODUCTION PARTIELLE OU EXHAUSTIVE SANS PERMISSION ÉCRITE D'ELECTRON METAL A.I.G. INC. EST INTERDITE.</p>		DESSINÉ PAR/DRAWN BY: _____		Title/Titre: HORIZONTAL CABLE MGT (19" x 3.5") x 3"		
		VÉRIFIÉ PAR/CHECKED BY: _____		PROJET/PROJECT: CableMgt\Rackmount		FICHER/FILE: HCMSAssy19x3p5x3_1305021860_Eng
NO. DE PIÈCE/PART NO.: HCMSTD-190203		NO. DE DESSIN/DRAWING NO.: 1305021860		ÉCHELLE/SCALE: 1:1	DATE: 2005-05-05	PAGE/SHEET: 1 / 1