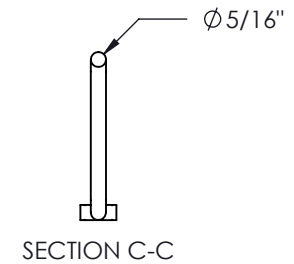
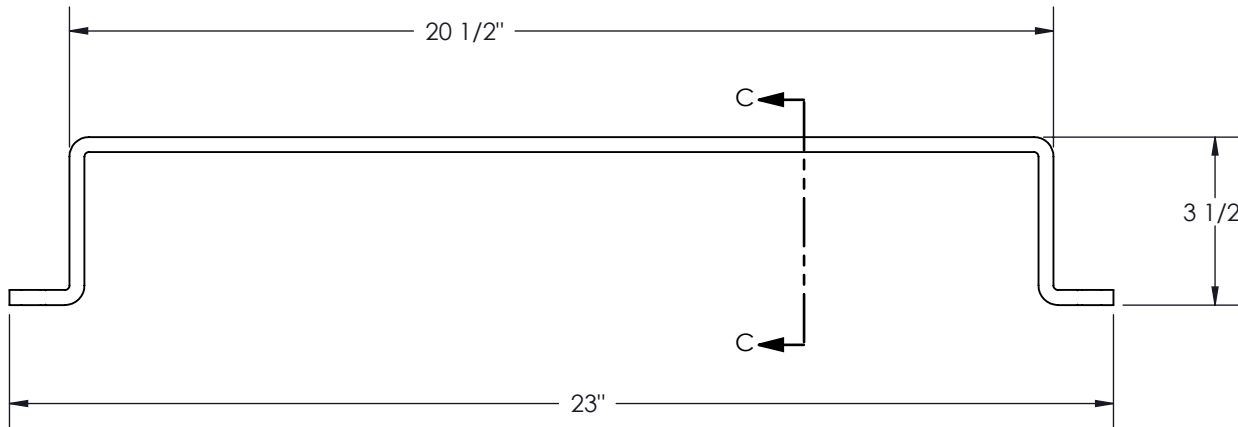
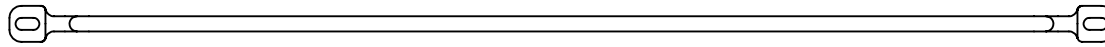
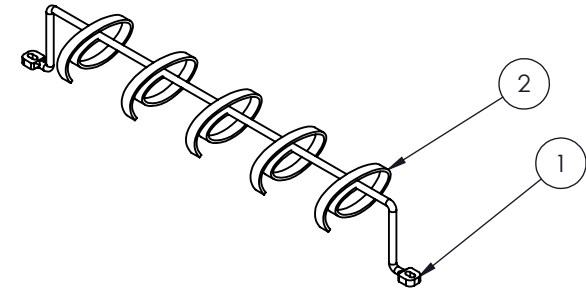



NO.	NOTE	DESCRIPTION	QTY
1	12560 - (23) x 3.5	CABLE SUPPORT ROD	1
2	POLYGON WIRE 3108-X-675FR	VELCRO TIE WRAP FIRE RETARDANT	5



 <p><b>PROPRIETARY AND CONFIDENTIAL</b> THE INFORMATION CONTAINED IN THIS DRAWING IS THE SOLE PROPERTY OF A.I.G. ELECTRON METAL INC. ANY REPRODUCTION IN PART OR AS A WHOLE WITHOUT THE WRITTEN PERMISSION OF A.I.G. ELECTRON METAL INC IS PROHIBITED.</p>	<p><b>CONFIDENTIEL</b> L'INFORMATION CONTENUE DANS CE DESSIN EST L'ENTIÈRE PROPRIÉTÉ D'ELECTRON METAL A.I.G. INC. TOUTE REPRODUCTION PARTIELLE OU EXHAUSTIVE SANS PERMISSION ÉCRITE D'ELECTRON METAL A.I.G. INC. EST INTERDITE.</p>	DESSINÉ PAR/DRAWN BY:	Title/Titre: CABLE SUPPORT ROD (19) x 3.5 WITH VELCRO		
		VÉRIFIÉ PAR/CHECKED BY:			
		PROJET/PROJECT: CableMgt\Rackmnt\CableRod	FICHER/FILE: CableSupportRodVelcro23x3_1305029282_Eng	RÉV./REV.: -	
		NO. DE PIÈCE/PART NO.: HCMROV-230003	NO. DE DESSIN/DRAWING NO.: 1305029282	ÉCHELLE/SCALE: 1:4	DATE: 2011-04-04
					PAGE/SHEET: 1 / 1