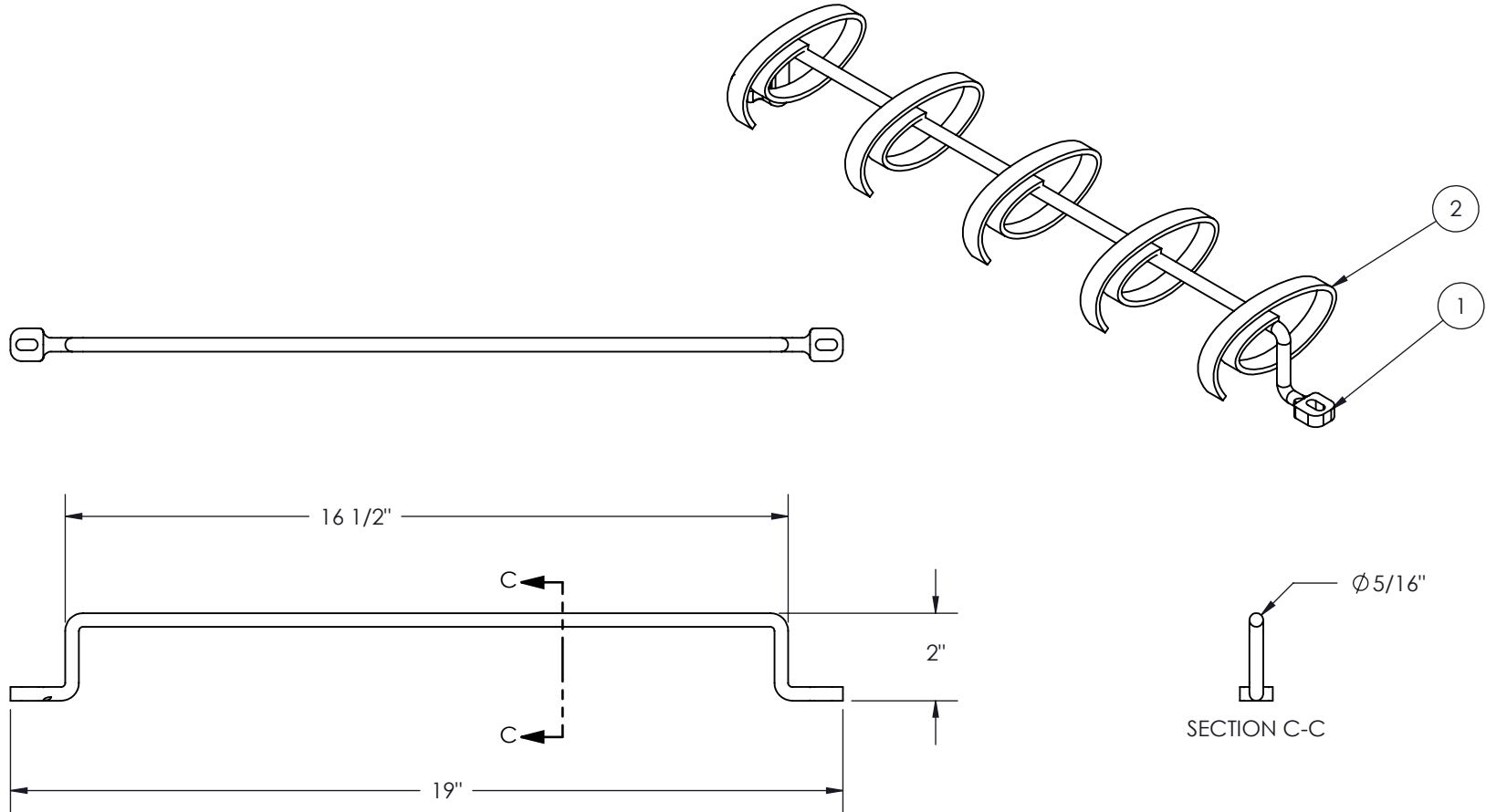



No.	NOTE	DESCRIPTION	QTE
1	12560 - (19) x 2	CABLE SUPPORT ROD	1
2	POLYGON WIRE 3108-X-675FR	VELCRO TIE WRAP, FIRE RETARDANT	5



 <p>PROPRIETARY AND CONFIDENTIAL THE INFORMATION CONTAINED IN THIS DRAWING IS THE SOLE PROPERTY OF A.I.G. ELECTRON METAL INC. ANY REPRODUCTION IN PART OR AS A WHOLE WITHOUT THE WRITTEN PERMISSION OF A.I.G. ELECTRON METAL INC IS PROHIBITED.</p>	<p>CONFIDENTIEL L'INFORMATION CONTENUE DANS CE DESSIN EST L'ENTIÈRE PROPRIÉTÉ D'ELECTRON METAL A.I.G. INC. TOUTE REPRODUCTION PARTIELLE OU EXHAUSTIVE SANS PERMISSION ÉCRITE D'ELECTRON METAL A.I.G. INC. EST INTERDITE.</p>	DESSINÉ PAR/DRAWN BY:	Title/Titre: CABLE SUPPORT ROD (19) x 2 WITH VELCRO		
		VÉRIFIÉ PAR/CHECKED BY:			
		PROJET/PROJECT: CableMgt\Rackmnt\CableRod	FICHER/FILE: CableSupportRodVelcro_1305027883_Eng	RÉV./REV.: -	
		NO. DE PIÈCE/PART NO.: HCMROV-190002	NO. DE DESSIN/DRAWING NO.: 1305027883	ÉCHELLE/SCALE: 1:4	DATE: 2010-04-20
					PAGE/SHEET: 1 / 1