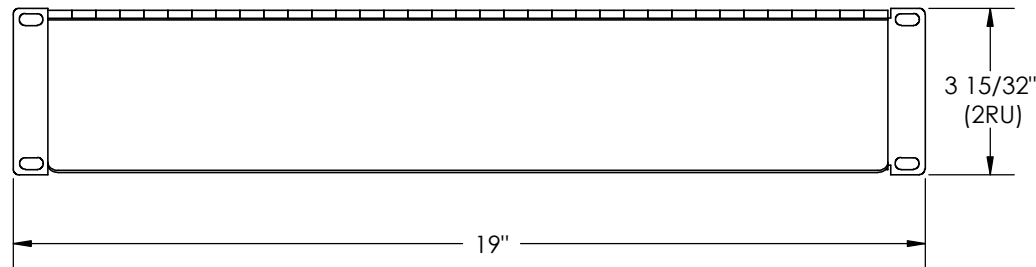
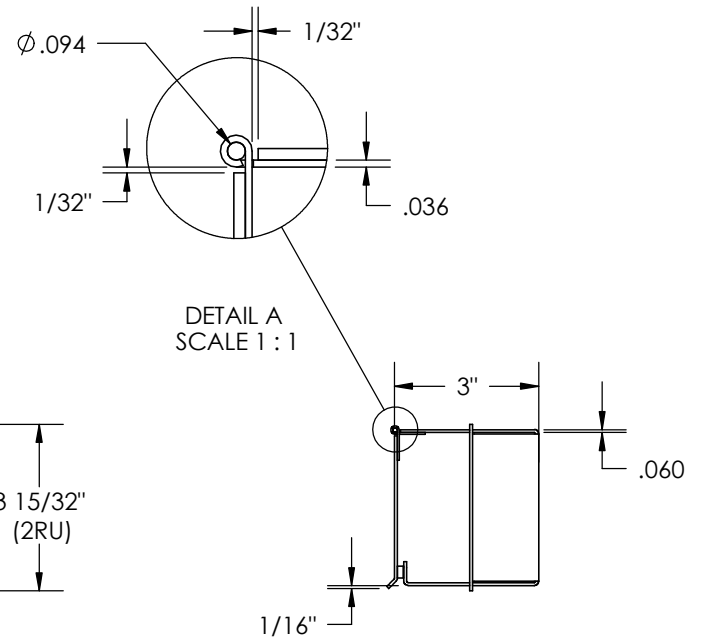
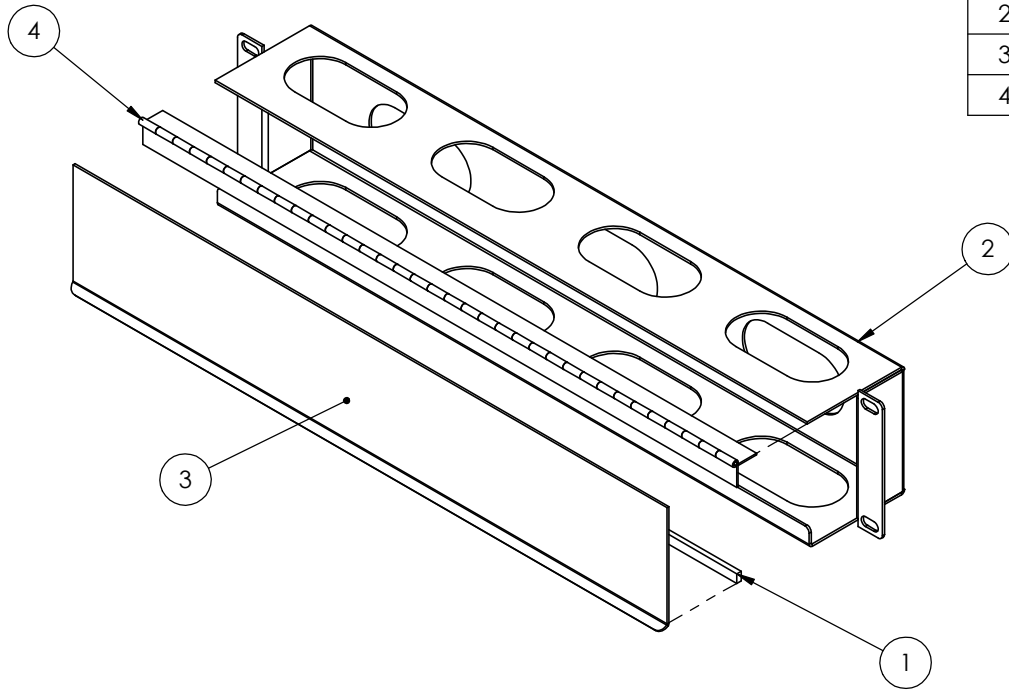


NO.	NOTE	DESCRIPTION	QTY
1	17.5"	MAGNETIC STRIP 1/8 x 1/4	1
2	1305021917 - (19 x 3.5)	BODY	1
3	1305021858 - (19 x 3.5)	DOOR	1
4	17.5" x 1" x .093 x 20 GA	HINGE	1



		DRAWN BY / DESSINÉ PAR:		Title/Titre:	
<p>PROPRIETARY AND CONFIDENTIAL THE INFORMATION CONTAINED IN THIS DRAWING IS THE SOLE PROPERTY OF ELECTRON METAL INC. ANY REPRODUCTION IN PART OR AS A WHOLE WITHOUT THE WRITTEN PERMISSION OF ELECTRON METAL INC IS PROHIBITED.</p>		<p>CONFIDENTIEL L'INFORMATION CONTENUE DANS CE DESSIN EST L'ENTIÈRE PROPRIÉTÉ D'ELECTRON METAL INC. TOUTE REPRODUCTION PARTIELLE OU EXHAUSTIVE SANS PERMISSION ÉCRITE D'ELECTRON METAL INC EST INTERDITE.</p>		RECESSED HORIZONTAL CABLE MGT 19x3.5x3	
				PROJECT/PROJET:	FILE/RCHER:
HCMREC-190203		CableMgt\Rackmount\HCMR_V2	HCMRAssy_1305021918_ENG	-	
PART NO./NO. DE PIÈCE:	DRAWING NO./NO. DE DESSIN:	SCALE/ÉCHELLE:	DATE:	SHEET/PAGE:	
HCMREC-190203	1305021918	1:1	2005-05-05	1 / 1	