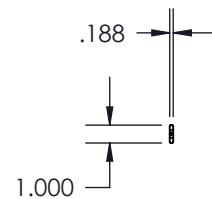
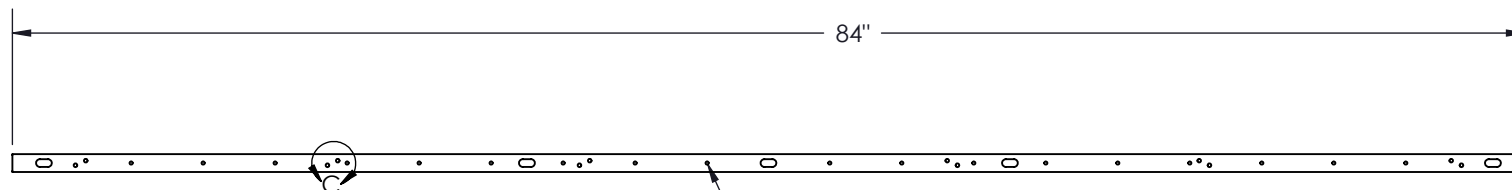
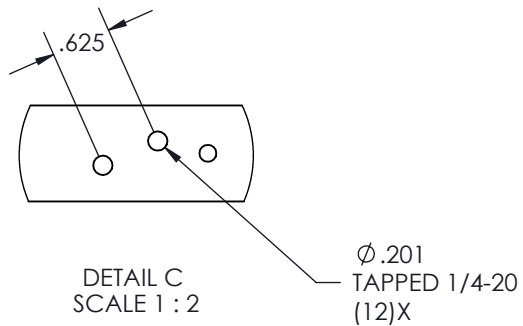


NO. DE PIÈCE
ELEGV2-004800



Ø .177
TAPED 10-32
(18)X

REV.	DESCRIPTION	DATE	APPR.
REVISIONS			

ELECTRON METAL
A.I.G Inc.

PROPRIETARY AND CONFIDENTIAL
THE INFORMATION CONTAINED IN THIS DRAWING IS THE SOLE PROPERTY OF A.I.G. ELECTRON METAL INC. ANY REPRODUCTION IN PART OR AS A WHOLE WITHOUT THE WRITTEN PERMISSION OF A.I.G. ELECTRON METAL INC IS PROHIBITED.

DRAWN BY:
E.D.

CHECKED BY:
E.D.

Title:
COPPER BAR (84) TAPPED 1/4-20 & 10-32

PROJECT: Accessories\Electrical\MALT		FILE: BarreMALTVerticalCosse2Trous84_1305031210_Eng			
MATL: COPPER BAR 1 x 3/16	DRAWING NO.: 1305031210	REV.: -	SCALE: 3:32	DATE: 2012-05-09	SHEET: 1 / 1