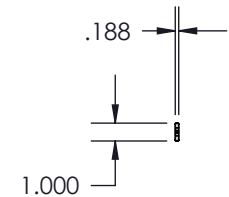
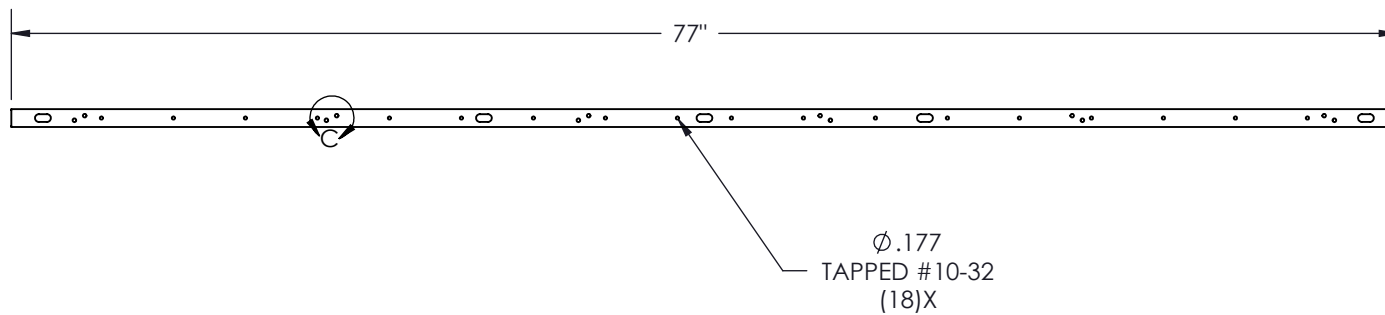
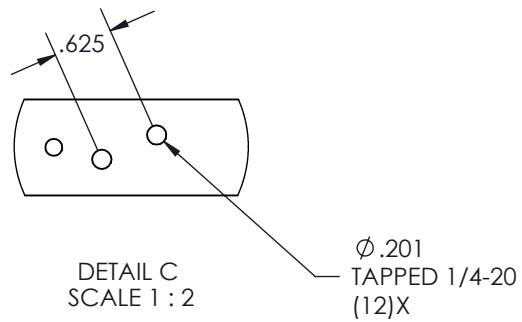



<b>PART NO.</b>
ELEGV2-004400



REV.	DESCRIPTION	DATE	APPR.
REVISIONS			

  
**ELECTRON METAL**  
 A.I.G. Inc.

**PROPRIETARY AND CONFIDENTIAL**  
 THE INFORMATION CONTAINED IN THIS DRAWING IS THE SOLE PROPERTY OF A.I.G. ELECTRON METAL INC. ANY REPRODUCTION IN PART OR AS A WHOLE WITHOUT THE WRITTEN PERMISSION OF A.I.G. ELECTRON METAL INC IS PROHIBITED.

DRAWN BY: E.D.	Title: COPPER BAR (77) TAPPED 1/4-20 & 10-32				
CHECKED BY: E.D.					
PROJECT: Accessories\Electrical\MALT			FILE: BarreMALTVerticalCosse2Trous73_1305031211_Eng		
MATL: COPPER BAR 1 x 3/16	DRAWING NO.: 1305028397	REV.: B	SCALE: 3:32	DATE: 2010-07-23	SHEET: 1 / 1