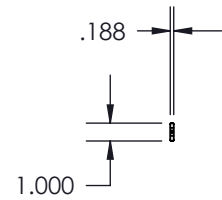
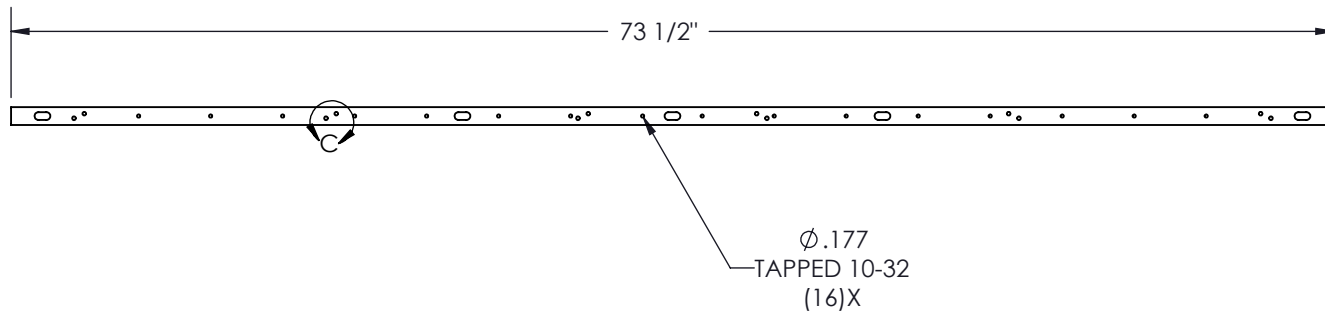
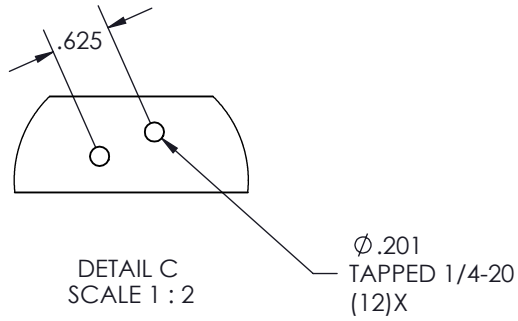


PART NO.
ELEGV2-004200



REV.	DESCRIPTION	DATE	APPR.
REVISIONS			

ELECTRON METAL
A.I.G. Inc.

PROPRIETARY AND CONFIDENTIAL
THE INFORMATION CONTAINED IN THIS DRAWING IS THE SOLE PROPERTY OF A.I.G. ELECTRON METAL INC. ANY REPRODUCTION IN PART OR AS A WHOLE WITHOUT THE WRITTEN PERMISSION OF A.I.G. ELECTRON METAL INC IS PROHIBITED.

DRAWN BY: E.D.	Title: COPPER BAR (73.5) TAPPED 1/4-20 & 10-32		
CHECKED BY: E.D.	PROJECT: Accessories\Electrical\MALT	FILE: BarreMALTVerticalCosse2Trous42_1305031215_Eng	
MATL: COPPER BAR 1 x 3/16	DRAWING NO.: 1305031211	REV.: -	SCALE: 3:32
		DATE: 2012-05-09	SHEET: 1 / 1