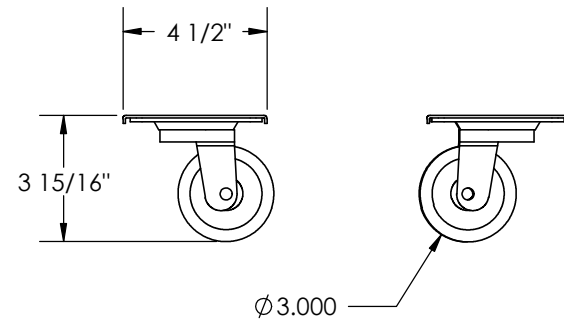
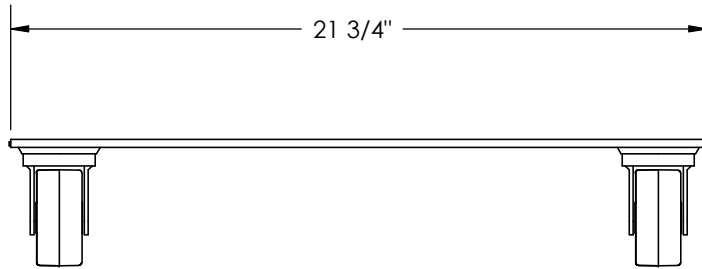


NO.	NOTE	DESCRIPTION	QTE
1	100716 - (19)	CASTER SUPPORT CHANNEL	2
2	CAN-AM 361NY-BR (BRAKE)	3" PIVOTING CASTER	2
3	CAN-AM 361NY (NO BRAKE)	3" PIVOTING CASTER	2

NOTE:  
CAPACITY = 1000LBS



**PROPRIETARY AND CONFIDENTIAL**  
THE INFORMATION CONTAINED IN THIS DRAWING IS THE SOLE PROPERTY OF ELECTRON METAL INC. ANY REPRODUCTION IN PART OR AS A WHOLE WITHOUT THE WRITTEN PERMISSION OF ELECTRON METAL INC IS PROHIBITED.

**CONFIDENTIEL**  
L'INFORMATION CONTENUE DANS CE DESSIN EST L'ENTIÈRE PROPRIÉTÉ D'ELECTRON METAL INC. TOUTE REPRODUCTION PARTIELLE OU EXHAUSTIVE SANS PERMISSION ÉCRITE D'ELECTRON METAL INC EST INTERDITE.

DRAWN BY/DESSINÉ PAR:

CHECKED BY/VÉRIFIÉ PAR:

Title/Titre:

SET OF 3" CASTER WITH (19") CHANNEL

PROJECT/PROJET:

Accessories\FeeCastersAnchors

FILE/RICHER:

CasterChannel19\_1305025009\_ENG

REV./RÉV.:

PART NO./NO. DE PIÈCE:

CASSTC\_190300

DRAWING NO./NO. DE DESSIN:

1305025009

SCALE/ÉCHELLE:

1:6

DATE:

2008-03-19

SHEET/PAGE:

1 / 1