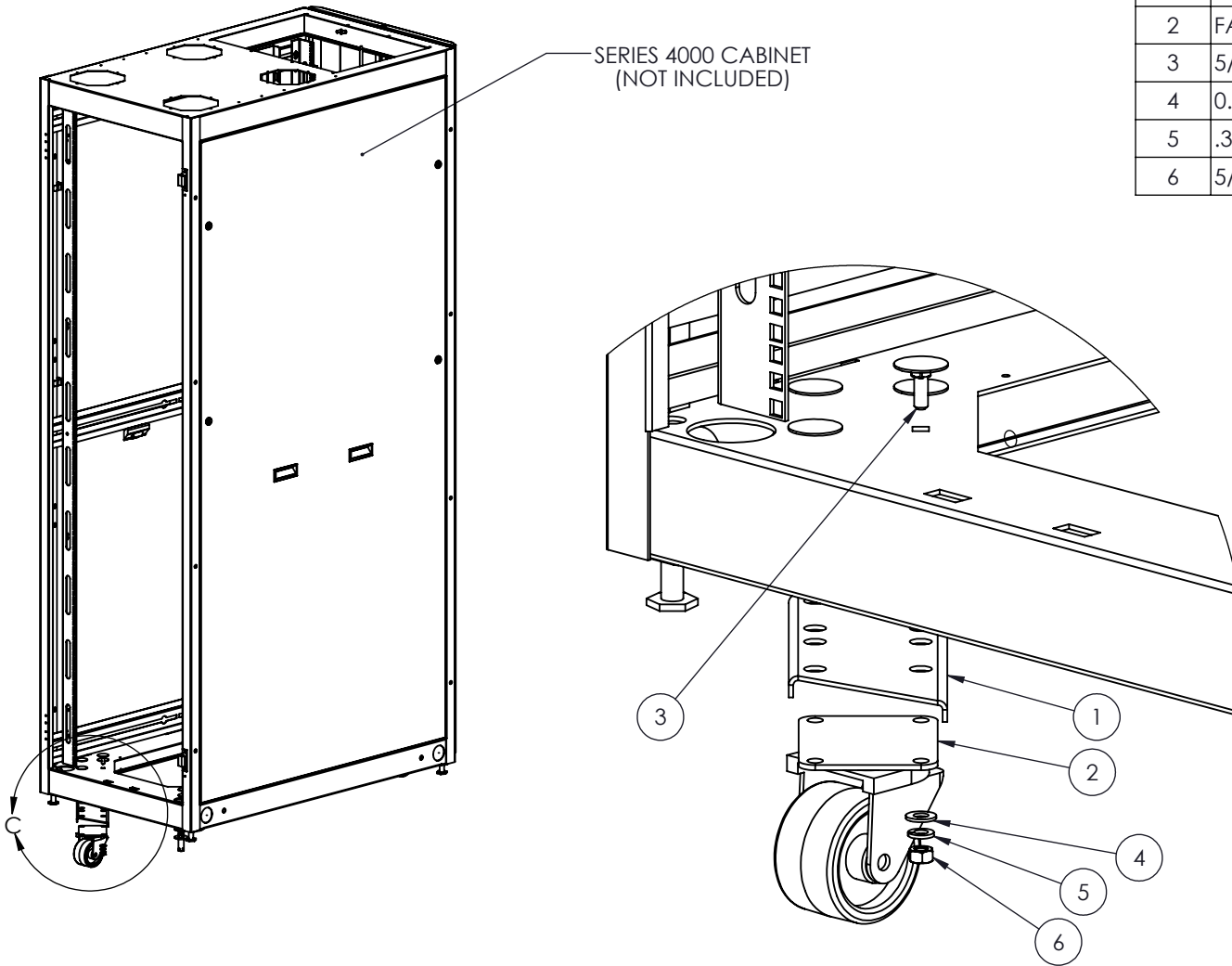


NO.	NOTE	DESCRIPTION	QTY
1	1305024143	CASTER PLATE	4
2	FAULTLESS 25300	3" PIVOTING CASTER	4
3	5/16-18 x 1	ELEVATOR BOLT	16
4	0.3125	PLAIN WASHER	16
5	.313" WASHER	SPLIT LOCK WASHER	16
6	5/16-18	HEX NUT	16



DETAIL C
SCALE 1 : 4

REV.	DESCRIPTION	DATE	APPR.
REVISIONS			

 <p>PROPRIETARY AND CONFIDENTIAL THE INFORMATION CONTAINED IN THIS DRAWING IS THE SOLE PROPERTY OF A.I.G. ELECTRON METAL INC. ANY REPRODUCTION IN PART OR AS A WHOLE WITHOUT THE WRITTEN PERMISSION OF A.I.G. ELECTRON METAL INC IS PROHIBITED.</p>	<p>CONFIDENTIEL L'INFORMATION CONTENUE DANS CE DESSIN EST L'ENTIERE PROPRIÉTÉ D'ELECTRON METAL A.I.G. INC. TOUTE REPRODUCTION PARTIELLE OU EXHAUSTIVE SANS PERMISSION ÉCRITE D'ELECTRON METAL A.I.G. INC. EST INTERDITE.</p>	DRAWN BY:	Title: SET OF 4 PIVOTING 3" CASTERS WITH MTG PLATES			
		PROJECT: Cabinets\Series4000				
PART NO.: CASSP4-000300-BK		DRAWING NO.: -	REV.: A	SCALE: 1:20	DATE: 2008-12-04	SHEET: 1 / 1