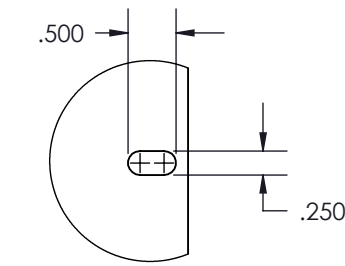
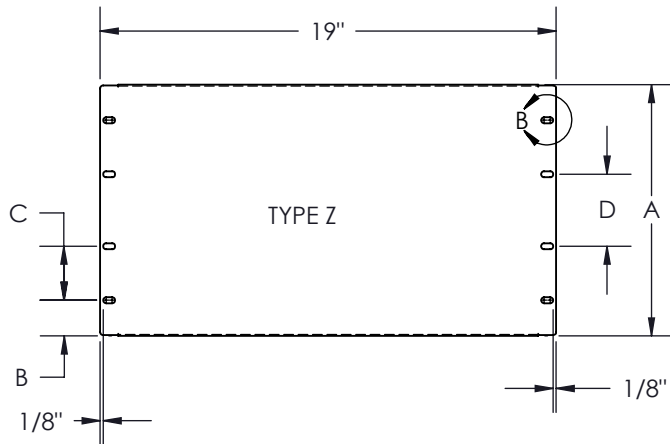
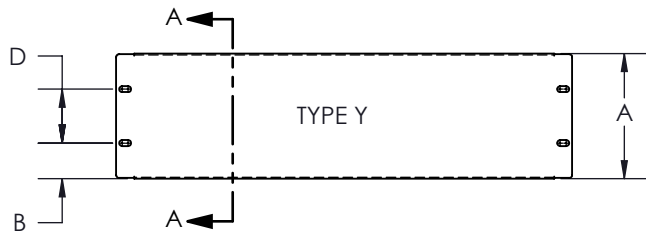
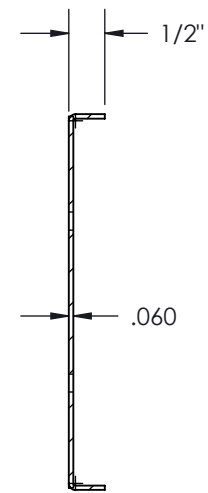


PART NO.	DESCRIPTION	TYPE	A	B	C	D	QTY E
BPSFDS-190100	(19 x 1.75) PANEL	X	1 23/32	0.234		1.250	2
BPSFDS-190200	(19 x 3.5) PANEL	X	3 15/32	0.234		3.000	2
BPSFDS-190300	(19 x 5.25) PANEL	Y	5 7/32	1.484		2.250	2
BPSFDS-190400	(19 x 7) PANEL	Y	6 31/32	1.484		4.000	2
BPSFDS-190500	(19 x 8.75) PANEL	Y	8 23/32	1.484		5.750	2
BPSFDS-190600	(19 x 10.5) PANEL	Z	10 15/32	1.484	2.250	3.000	4
BPSFDS-190700	(19 x 12.25) PANEL	Z	12 7/32	1.484	3.500	2.250	4
BPSFDS-190800	(19 x 14) PANEL	Z	13 31/32	1.484	4.000	3.000	4



DETAIL B
QTY (E) EACH SIDE
SCALE 1 : 2



SECTION A-A
SCALE 3 : 8



PROPRIETARY AND CONFIDENTIAL
THE INFORMATION CONTAINED IN THIS DRAWING IS THE SOLE PROPERTY OF ELECTRON METAL INC. ANY REPRODUCTION IN PART OR AS A WHOLE WITHOUT THE WRITTEN PERMISSION OF ELECTRON METAL INC IS PROHIBITED.

CONFIDENTIEL
L'INFORMATION CONTENUE DANS CE DESSIN EST L'ENTIÈRE PROPRIÉTÉ D'ELECTRON METAL. TOUTE REPRODUCTION PARTIELLE OU EXHAUSTIVE SANS PERMISSION ÉCRITE D'ELECTRON METAL EST INTERDITE.

DESSINÉ PAR:		TITRE: FORMED BLANK PANEL	
VÉRIFIÉ PAR:			
PROJET (REPERTOIRE): Accessories\FillerPanels		FICHER: BlankFormedSteel_134502_Eng	RÉV: B
MATÉRIEL: 16 GA. CRS	NO. DESSIN: 134502	ÉCHELLE: 1:8	DATE: 2005-12-02