

NO.	DESCRIPTION	QTY
1	FRAME 28 x 31 x 18	1
2	REAR SECTION (25 x 28)	1
3	PLEXI. DOOR (25 X 28)	1
4	RAIL 4.25" CUTOUTS TAPPED 10-32	2
5	VERTICAL CABLE MGT 3.5 x 3 x 28	2
6	4" FAN CUTOUT COVER PLATE	8
7	LINK ROTARY LATCH, MEDIUM	2
8	KEEPER	2
9	THREAD ROLLING PAN HEAD - PHILLIPS	10
10	REAR MALE HINGE	2
11	FEMALE FRONT HINGE	2
12	CLEVIS PIN 3/8 x 3/4	2
13	HAIRPIN COTTER PIN 1-1/4"	2

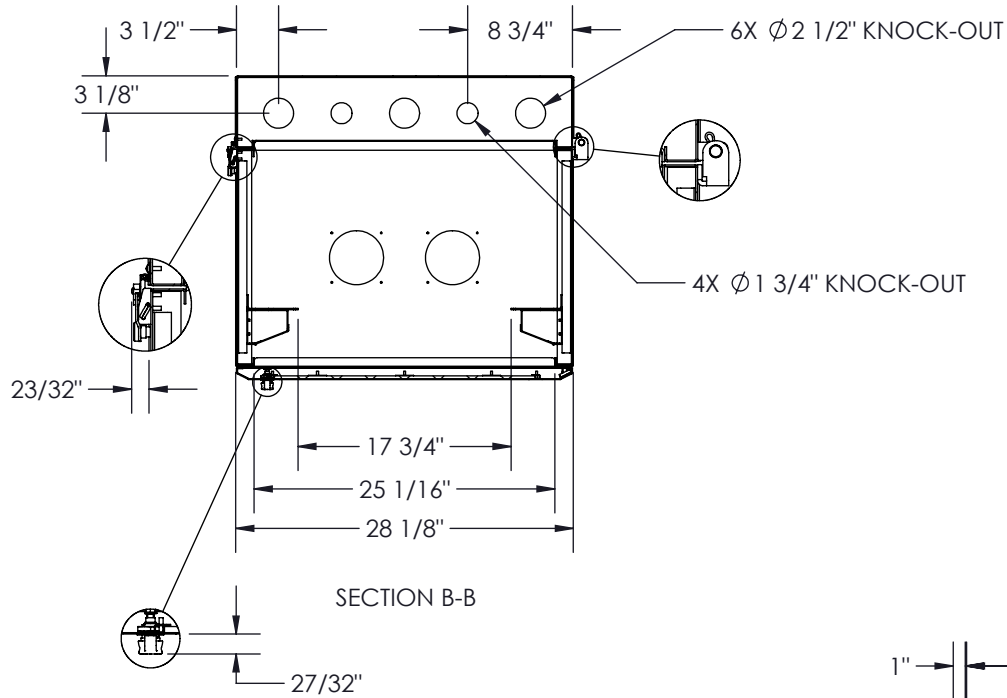
NOTES:

- 1 - CAPACITY: 150 LB
- 2 - WEIGHT: 140 LB
- 3 - CABINET IS FULLY REVERSIBLE LH OR RH SWING.
- 4 - INSTALL (4) FAN CUT-OUT COVER PLATES TOP / BOTTOM, SHIP (4) LOOSE.

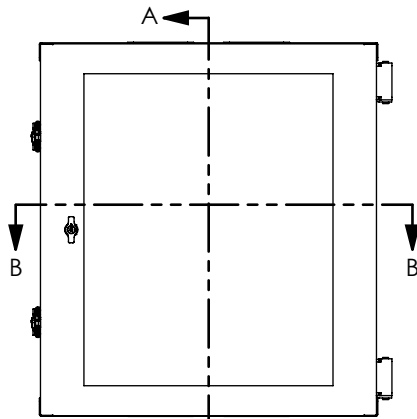
Electron METAL

PROPRIETARY AND CONFIDENTIAL
 THE INFORMATION CONTAINED IN THIS DRAWING IS THE SOLE PROPERTY OF A.I.G. ELECTRON METAL INC. ANY REPRODUCTION IN PART OR AS A WHOLE WITHOUT THE WRITTEN PERMISSION OF A.I.G. ELECTRON METAL INC IS PROHIBITED.

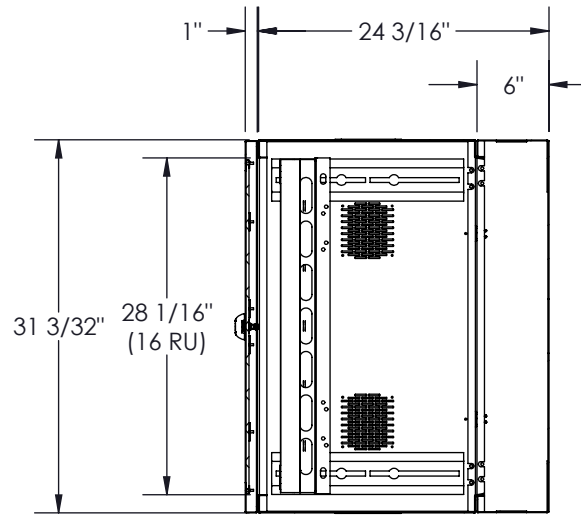
DRAWN BY: S.B. CHECKED BY: S.B.	Title: WALL MOUNT CABINET (25 x 28) x 24 REVERSED
PROJECT: WallMount\Cabinet2013\Ensembles	FILE: Cabinet25x28x24_1305033095_Eng
PART NO.: WMCRC1-251624	DRAWING NO.: 1305033095
REV.: B	SCALE: 1:12
DATE: 2013-08-02	SHEET: 1 / 2



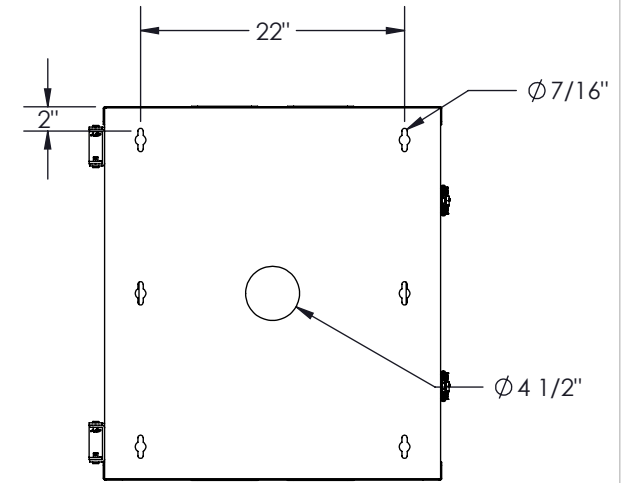
SECTION B-B



FRONT VIEW



SECTION A-A



MOUNTING DETAIL



PROPRIETARY AND CONFIDENTIAL
 THE INFORMATION CONTAINED IN THIS DRAWING IS THE SOLE PROPERTY OF A.I.G. ELECTRON METAL INC. ANY REPRODUCTION IN PART OR AS A WHOLE WITHOUT THE WRITTEN PERMISSION OF A.I.G. ELECTRON METAL INC IS PROHIBITED.

DRAWN BY: S.B.		Title: WALL MOUNT CABINET (25 x 28) x 24 REVERSED				
CHECKED BY: S.B.		PROJECT: WallMount\Cabinet2013\Ensembles			FILE: Cabinet25x28x24_1305033095_Eng	
PART NO.:	DRAWING NO.:	REV.:	SCALE:	DATE:	SHEET:	
WMCRC1-251624	1305033095	B	1:16	2013-08-02	2 / 2	