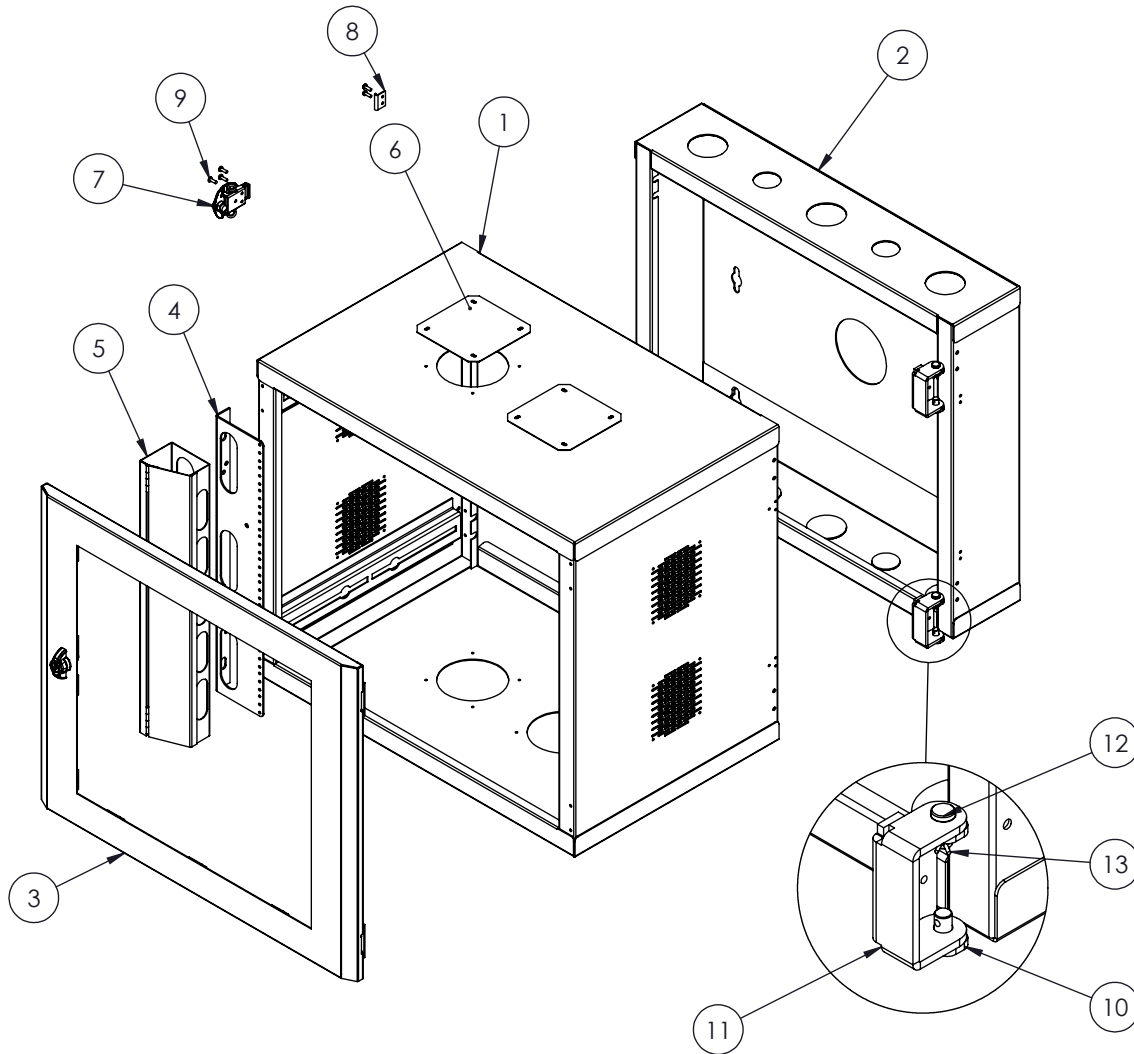


NO.	DESCRIPTION	QTY
1	FRAME 28 x 24 x 18	1
2	REAR SECTION (25 x 21)	1
3	PLEXI. DOOR (25 X 21)	1
4	RAIL 4.25" CUTOUTS TAPPED 10-32	2
5	VERTICAL CABLE MGT 3.5 x 3 x 21	2
6	4" FAN CUTOUT COVER PLATE	8
7	LINK ROTARY LATCH, MEDIUM	2
8	KEEPER	2
9	THREAD ROLLING PAN HEAD - PHILLIPS	10
10	REAR MALE HINGE	2
11	FEMALE FRONT HINGE	2
12	CLEVIS PIN 3/8 x 3/4	2
13	HAIRPIN COTTER PIN 1-1/4"	2



NOTES:

1 - CAPACITY: 150 LB

2 - WEIGHT: 120 LB

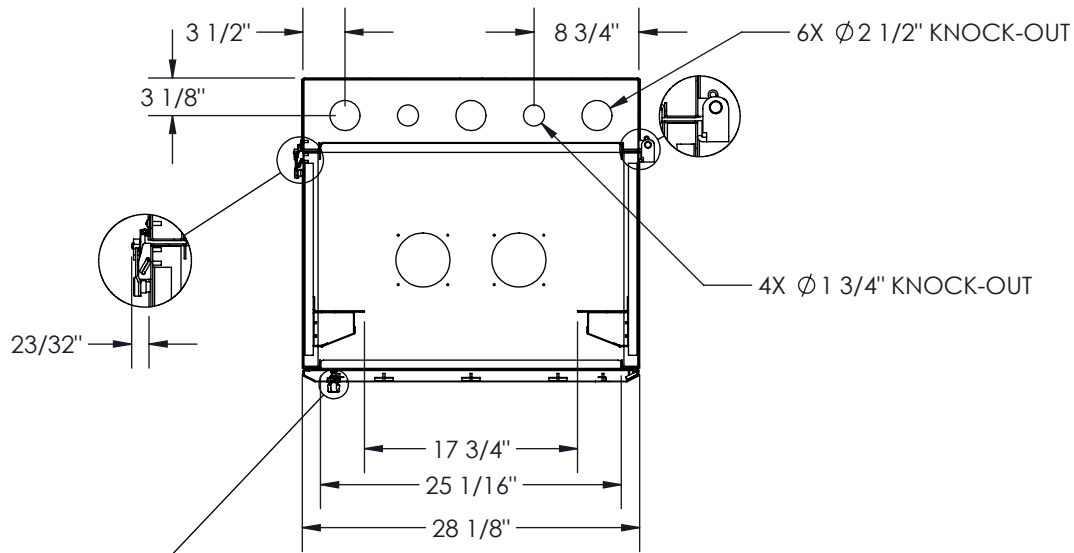
3 - CABINET IS FULLY REVERSIBLE LH OR RH SWING.

4 - (4) FAN CUTOUT COVER PLATES INSTALLED TOP / BOTTOM, (4) SHIPPED LOOSE.

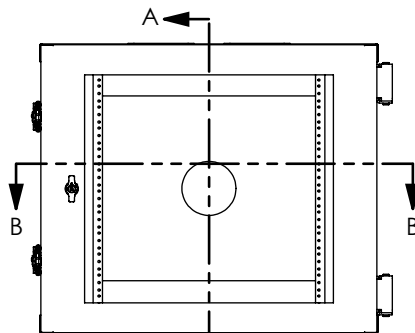
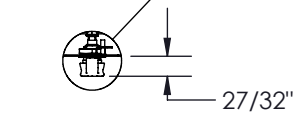


PROPRIETARY AND CONFIDENTIAL
 THE INFORMATION CONTAINED IN THIS DRAWING IS THE SOLE PROPERTY OF A.I.G. ELECTRON METAL INC. ANY REPRODUCTION IN PART OR AS A WHOLE WITHOUT THE WRITTEN PERMISSION OF A.I.G. ELECTRON METAL INC IS PROHIBITED.

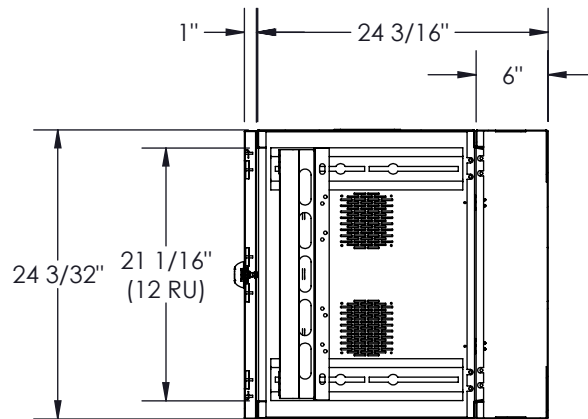
DRAWN BY: S.B.		Title: WALL MOUNT CABINET (25 x 21) x 24 REVERSED			
CHECKED BY: S.B.					
PROJECT: WallMount\Cabinet2013\Ensembles			FILE: Cabinet25x21x24_1305033084_Eng		
PART NO.:	DRAWING NO.:	REV.:	SCALE:	DATE:	SHEET:
WMCRC1-251224	1305033084	B	1:12	2013-07-31	1 / 2



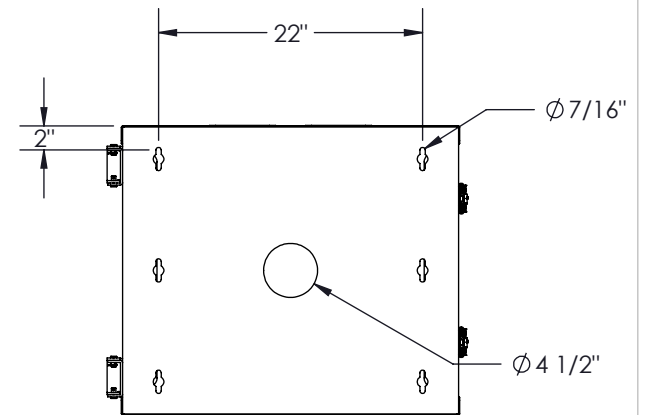
SECTION B-B



FRONT VIEW



SECTION A-A



MOUNTING DETAIL



PROPRIETARY AND CONFIDENTIAL
 THE INFORMATION CONTAINED IN THIS
 DRAWING IS THE SOLE PROPERTY OF
 A.I.G. ELECTRON METAL INC. ANY
 REPRODUCTION IN PART OR AS A WHOLE
 WITHOUT THE WRITTEN PERMISSION OF
 A.I.G. ELECTRON METAL INC IS PROHIBITED.

DRAWN BY: S.B.		Title: WALL MOUNT CABINET (25 x 21) x 24 REVERSED				
CHECKED BY: S.B.						
PROJECT: WallMount\Cabinet2013\Ensembles			FILE: Cabinet25x21x24_1305033084_Eng			
PART NO.:	DRAWING NO.:	REV.:	SCALE:	DATE:	SHEET:	
WMCRC1-251224	1305033084	B	1:16	2013-07-31	2 / 2	