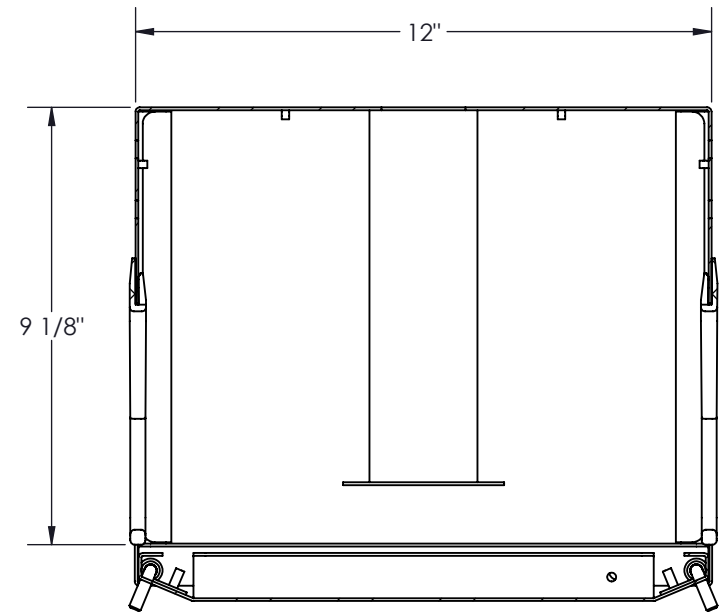


NO.	NOTE	DESCRIPTION	QTY
1	1830-003 - 12 x 9	BODY 44RU (77)	1
2	1830-008	2 WAY DOOR 44RU 12 x (77)	1
3	1305020805 - 7.75"	SPOOL BRACKET	8
4	1305020804 - 3.5"	SPOOL END PLATE	8
5	1305020806 - 7.75"	SPOOL	8
6	1305038739 - 5.25"	PLASTIC CABLE MGT FINGERS	2
7	1305038739 - 8.75"	PLASTIC CABLE MGT FINGERS	16
8	10-32 x 3/8	FLAT HEAD C'SUNK SCREW	8



SECTION B-B
SCALE 1 : 4



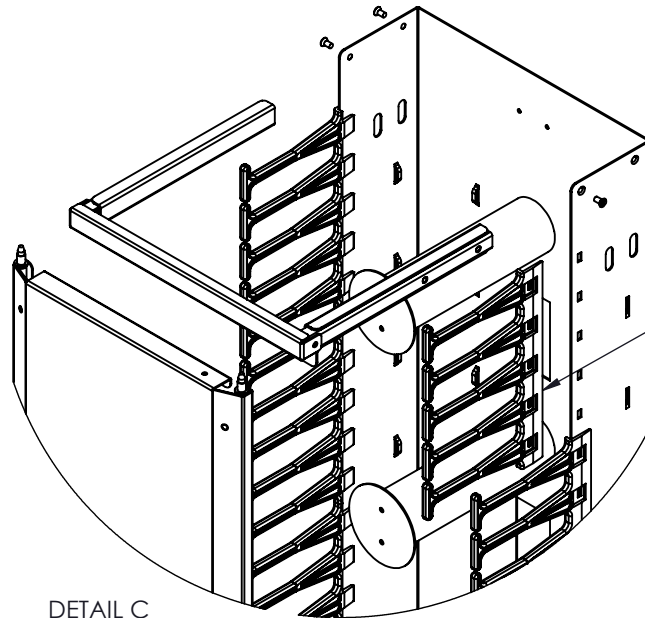
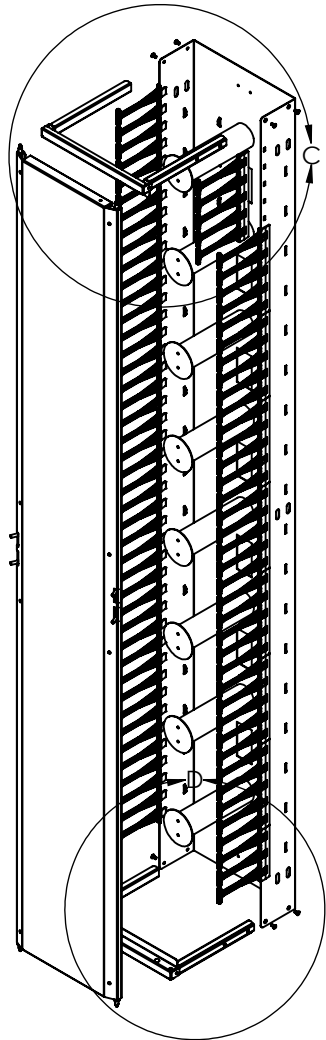
PROPRIETARY AND CONFIDENTIAL
 THE INFORMATION CONTAINED IN THIS DRAWING IS THE SOLE PROPERTY OF A.I.G. ELECTRON METAL INC. ANY REPRODUCTION IN PART OR AS A WHOLE WITHOUT THE WRITTEN PERMISSION OF A.I.G. ELECTRON METAL INC IS PROHIBITED.

DRAWN BY: R.B.		Title: HD CABLE MGT 12 x (77) x 9 WITH DOOR			
CHECKED BY: E.D.		PROJECT: G:\SWD\wgr\CableMgt\CableMgt_Racks\HighDensityPlastic\Simple\Ensembles\		FILE: GestHD12x77x9AvecPorte_1830-001_Eng	
PART NO.:	DRAWING NO.:	REV.:	SCALE:	DATE:	SHEET:
CMRHSD-124409	1830-001	-	1:16	2017-05-15	1 / 2

NOTE:

- FULLY ASSEMBLE BEFORE ATTACHING TO SIDE OF RACK.

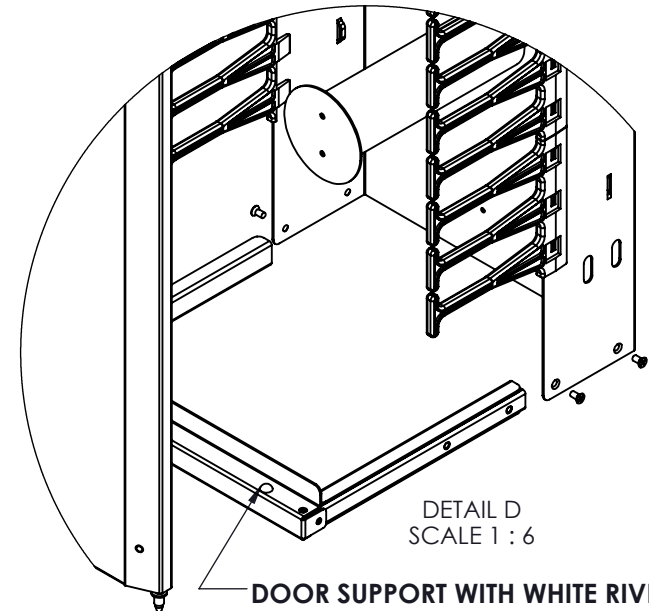
ASSY INSTRUCTIONS



DETAIL C
SCALE 1 : 7

FASTEN TOP AND BOTTOM DOOR SUPPORTS
USING PROVIDED #10-32 X 3/8 FLAT HD SCREWS.

SNAP FINGERS INTO PLACE



DETAIL D
SCALE 1 : 6

DOOR SUPPORT WITH WHITE RIVETS
INSTALLED AT BOTTOM OF MANAGER.



PROPRIETARY AND CONFIDENTIAL
THE INFORMATION CONTAINED IN THIS
DRAWING IS THE SOLE PROPERTY OF
A.I.G. ELECTRON METAL INC. ANY
REPRODUCTION IN PART OR AS A WHOLE
WITHOUT THE WRITTEN PERMISSION OF
A.I.G. ELECTRON METAL INC IS PROHIBITED.

DRAWN BY: R.B.		Title: HD CABLE MGT 12 x (77) x 9 WITH DOOR				
CHECKED BY: E.D.		PROJECT: G:\SWDwg\1\CableMgt\CableMgt_Rack\HighDensityPlastic\Simple\Ensembles\			FILE: GestHD12x77x9AvecPorte_1830-001_Eng	
PART NO.:	DRAWING NO.:	REV.:	SCALE:	DATE:	SHEET:	
CMRHSD-124409	1830-001	-	1:16	2017-05-15	2 / 2	