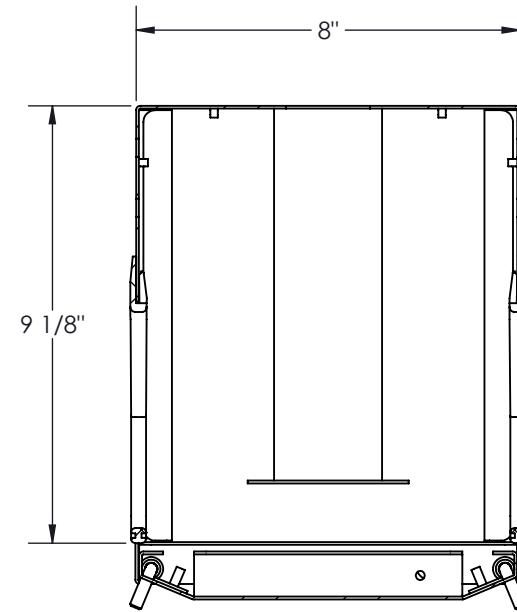


NO.	NOTE	DESCRIPTION	QTY
1	1838-003 - 8 x 9	BODY 44RU (77)	1
2	2050-003	2 WAY BEVELLED DOOR 44RU 8 x (77)	1
3	1305020805 - 7.75"	SPOOL BRACKET	8
4	1305020804 - 3.5"	SPOOL END PLATE	8
5	1305020806 - 7.75"	SPOOL	8
6	1305038739 - 5.25"	PLASTIC CABLE MGT FINGERS	2
7	1305038739 - 8.75"	PLASTIC CABLE MGT FINGERS	16



SECTION B-B
SCALE 1 : 4



PROPRIETARY AND CONFIDENTIAL
THE INFORMATION CONTAINED IN THIS DRAWING IS THE SOLE PROPERTY OF A.I.G. ELECTRON METAL INC. ANY REPRODUCTION IN PART OR AS A WHOLE WITHOUT THE WRITTEN PERMISSION OF A.I.G. ELECTRON METAL INC IS PROHIBITED.

DRAWN BY: E.D.		Title: HIGH DENSITY CABLE MGT 8 x (77) x 9 WITH DOOR			
CHECKED BY: E.D.		PROJECT: G:\SWDwgr\CableMgt\CableMgt_Racks\HighDensityPlastic\Simple\Ensembles\		FILE: GestHD8x77x9AvecPorte_2050-001_Eng	
PART NO.:	DRAWING NO.:	REV.:	SCALE:	DATE:	SHEET:
CMRHSD-084409	2050-001	-	1:16	2017-10-25	1 / 1