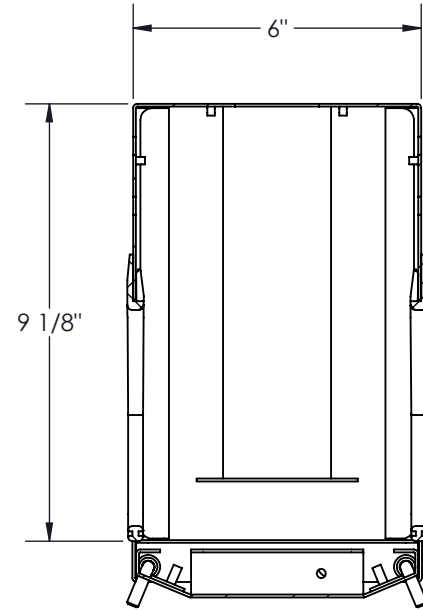


NO.	NOTE	DESCRIPTION	QTY
1	1830-003 - 6 x 9	BODY 44RU (77)	1
2	1809-003	2 WAY BEVELLED DOOR 44RU 6 x (77)	1
3	1305020805 - 7.75"	SPOOL BRACKET	8
4	1305020804 - 3.5"	SPOOL END PLATE	8
5	1305020806 - 7.75"	SPOOL	8
6	1305038739 - 5.25"	PLASTIC CABLE MGT FINGERS	2
7	1305038739 - 8.75"	PLASTIC CABLE MGT FINGERS	16



SECTION B-B
SCALE 1 : 4

Electron METAL PROUDLY MANUFACTURED IN CANADA.

PROPRIETARY AND CONFIDENTIAL
THE INFORMATION CONTAINED IN THIS DRAWING IS THE SOLE PROPERTY OF A.I.G. ELECTRON METAL INC. ANY REPRODUCTION IN PART OR AS A WHOLE WITHOUT THE WRITTEN PERMISSION OF A.I.G. ELECTRON METAL INC IS PROHIBITED.

DRAWN BY: E.D.		Title: HIGH DENSITY CABLE MGT 6 x (77) x 9 WITH DOOR			
CHECKED BY: E.D.					
PROJECT: G:\SWD\wgn\CableMgt\CableMgt_Racks\HighDensityPlastic\Simple\Ensembles\			FILE: GestHD6x77x9AvecPorte_2182-001_Eng		
PART NO.:	DRAWING NO.:	REV.:	SCALE:	DATE:	SHEET:
CMRHSD-064409	2182-001	-	1:16	2018-02-01	1 / 1