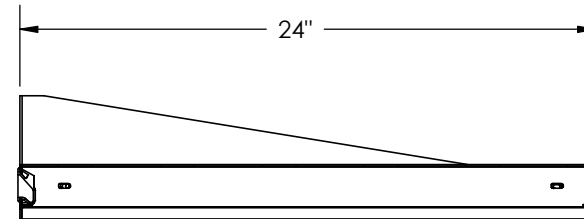
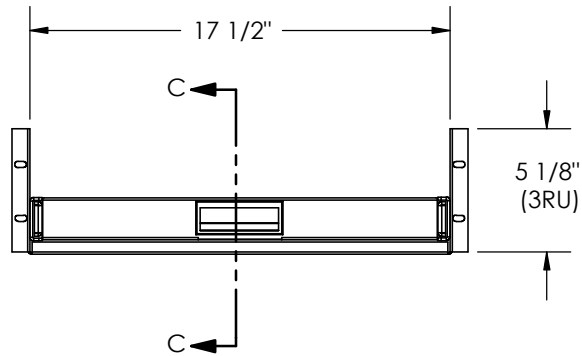


NOTE:  
CAPACITY = 50LBS



SECTION C-C

	DESSINÉ PAR/DRAWN BY:		Title/Titre:		
	VERIFIÉ PAR/CHECKED BY:		FRONT MOUNT SLIDING SHELF (19 x 24)		
<b>PROPRIETARY AND CONFIDENTIAL</b> THE INFORMATION CONTAINED IN THIS DRAWING IS THE SOLE PROPERTY OF A.I.G. ELECTRON METAL INC. ANY REPRODUCTION IN PART OR AS A WHOLE WITHOUT THE WRITTEN PERMISSION OF A.I.G. ELECTRON METAL INC IS PROHIBITED.	<b>CONFIDENTIEL</b> L'INFORMATION CONTENUE DANS CE DESSIN EST L'ENTIÈRE PROPRIÉTÉ D'ELECTRON METAL A.I.G. INC. TOUTE REPRODUCTION PARTIELLE OU EXHAUSTIVE SANS PERMISSION ÉCRITE D'ELECTRON METAL A.I.G. INC. EST INTERDITE.	PROJET/PROJECT:	FIGER/FILE:	REV./REV.:	
		Shelves\SlidingShelvesDrawers	SlidingFrontMntShf19x24_1305025458_ENG	-	
		NO. DE PIÈCE/PART NO.:	NO. DE DESSIN/DRAWING NO.:	ECHELLE/SCALE:	DATE:
SHSFMT-190324	1305025458	1:8	2008-06-09	1 / 1	