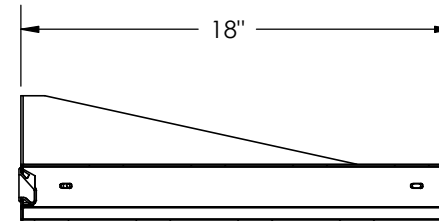
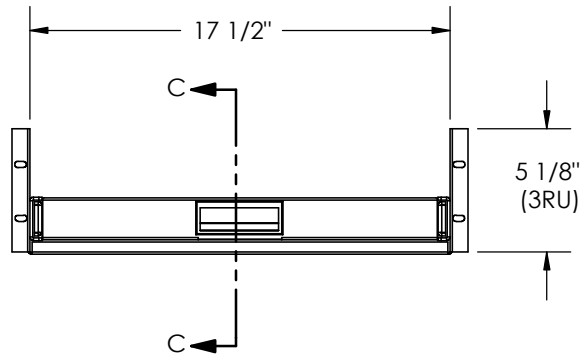


NOTE:
CAPACITY = 50LBS



SECTION C-C

| | | | | | |
|--|---|--|---|-----------------------|----------------------|
|  PROPRIETARY AND CONFIDENTIAL THE INFORMATION CONTAINED IN THIS DRAWING IS THE SOLE PROPERTY OF A.I.G. ELECTRON METAL INC. ANY REPRODUCTION IN PART OR AS A WHOLE WITHOUT THE WRITTEN PERMISSION OF A.I.G. ELECTRON METAL INC IS PROHIBITED. | CONFIDENTIEL L'INFORMATION CONTENUE DANS CE DESSIN EST L'ENTIÈRE PROPRIÉTÉ D'ELECTRON METAL A.I.G. INC. TOUTE REPRODUCTION PARTIELLE OU EXHAUSTIVE SANS PERMISSION ÉCRITE D'ELECTRON METAL A.I.G. INC. EST INTERDITE. | DESSINÉ PAR/DRAWN BY: | Title/Titre: FRONT MOUNT SLIDING SHELF (19 x 18) | | |
| | | VÉRIFIÉ PAR/CHECKED BY: | | | |
| | | PROJET/PROJECT: Shelves\SlidingShelvesDrawers | FIGER/FILE: SlidingFrontMntShf19x18_1305025352_ENG | REV./REV.: - | |
| | | NO. DE PIÈCE/PART NO.: SHSFMT-190318 | NO. DE DESSIN/DRAWING NO.: 1305025352 | ECHELLE/SCALE: 1:8 | DATE: 2008-05-26 |
| | | | | | PAGE/SHEET: 1 / 1 |