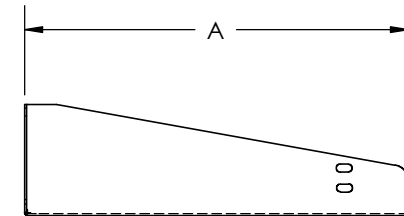
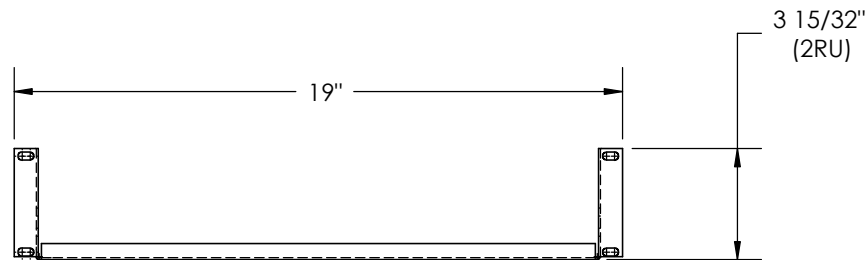
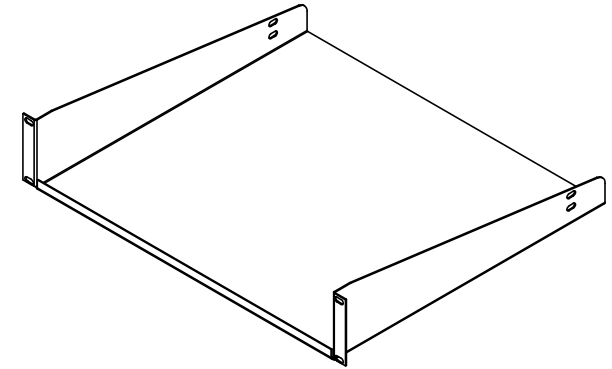
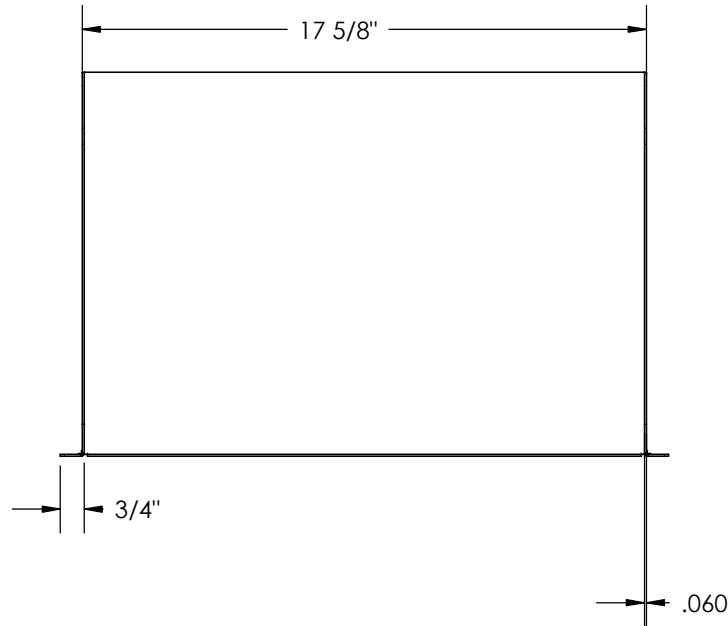


DESCRIPTION	PART NO.	A
19 x 12 SHELF	SHFFMT-190212	12
19 x 14 SHELF	SHFFMT-190214	14
19 x 16 SHELF	SHFFMT-190216	16
19 x 18 SHELF	SHFFMT-190218	18



**PROPRIETARY AND CONFIDENTIAL**  
 THE INFORMATION CONTAINED IN THIS DRAWING IS THE SOLE PROPERTY OF A.I.G. ELECTRON METAL INC. ANY REPRODUCTION IN PART OR AS A WHOLE WITHOUT THE WRITTEN PERMISSION OF A.I.G. ELECTRON METAL INC IS PROHIBITED.

**CONFIDENTIEL**  
 L'INFORMATION CONTENUE DANS CE DESSIN EST L'ENTIERE PROPRIÉTÉ D'ELECTRON METAL A.I.G. INC. TOUTE REPRODUCTION PARTIELLE OU EXHAUSTIVE SANS PERMISSION ÉCRITE D'ELECTRON METAL A.I.G. INC. EST INTERDITE.

DESSINÉ PAR/DRAWN BY:		TITRE/TITLE: FRONT MOUNT SHELF 2RU		
VÉRIFIER PAR/CHECKED BY:		PROJET/PROJECT: Shelves\FixedShelves		REV./REV. A
MATÉRIEL/MATERIAL: 16 GA. CRS		NO. DESSIN/DWG NO.: 1305022424	ÉCHELLE/SCALE: 1:6	DATE: NOV. 3, 05