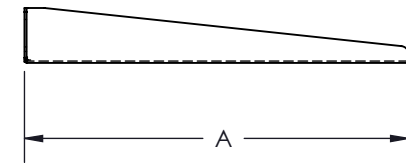
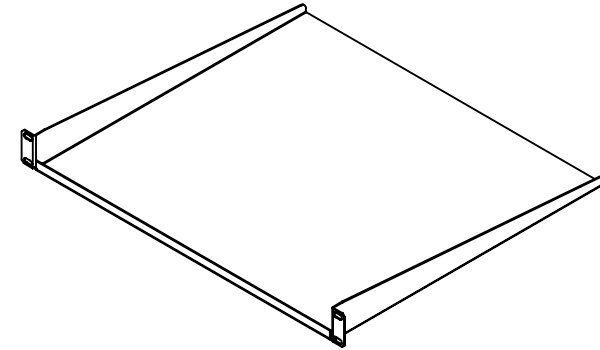
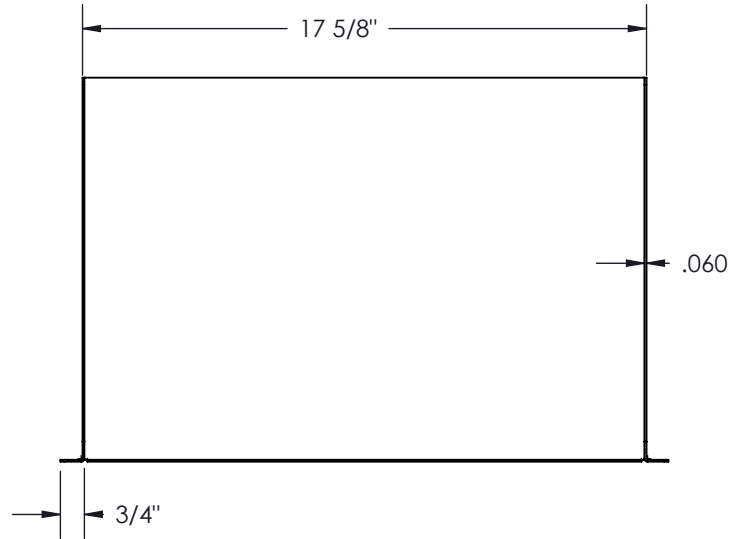



DESCRIPTION	PART NO.	CAPACITY	A
19 x 12 SHELF	SHFFMT-190112	20 LBS	12
19 x 16 SHELF	SHFFMT-190116	17.5 LBS	16
19 x 18 SHELF	SHFFMT-190118	15 LBS	18



 <p><b>PROPRIETARY AND CONFIDENTIAL</b> THE INFORMATION CONTAINED IN THIS DRAWING IS THE SOLE PROPERTY OF A.I.G. ELECTRON METAL INC. ANY REPRODUCTION IN PART OR AS A WHOLE WITHOUT THE WRITTEN PERMISSION OF A.I.G. ELECTRON METAL INC IS PROHIBITED.</p>	<p><b>CONFIDENTIEL</b> L'INFORMATION CONTENUE DANS CE DESSIN EST L'ENTIÈRE PROPRIÉTÉ D'ELECTRON METAL A.I.G. INC. TOUTE REPRODUCTION PARTIELLE OU EXHAUSTIVE SANS PERMISSION ÉCRITE D'ELECTRON METAL A.I.G. INC. EST INTERDITE.</p>	DRAWN BY: E.D.	Title: FRONT MOUNT SHELF 19" X 1RU				
		CHECKED BY: E.D.					
PROJECT: Shelves\FixedShelves		FILE: FrontMntShf1U_1305022268_Eng					
PART NO.: SHFFMT-1901XX		DRAWING NO.: 1305022268		REV.: _	SCALE: 1:6	DATE: 2005-10-07	SHEET: 1 / 1