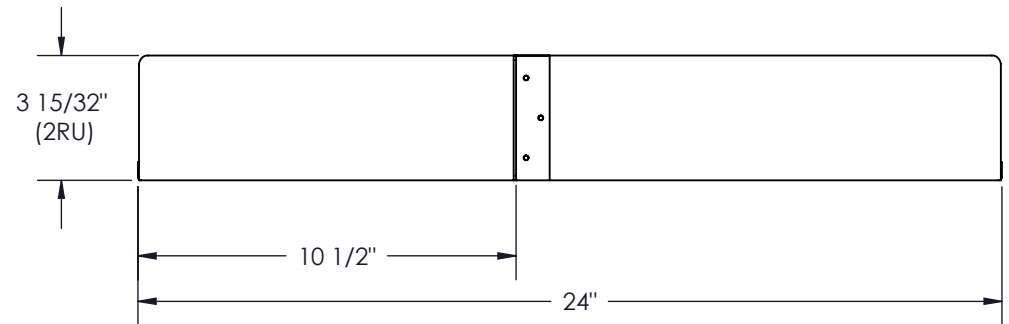
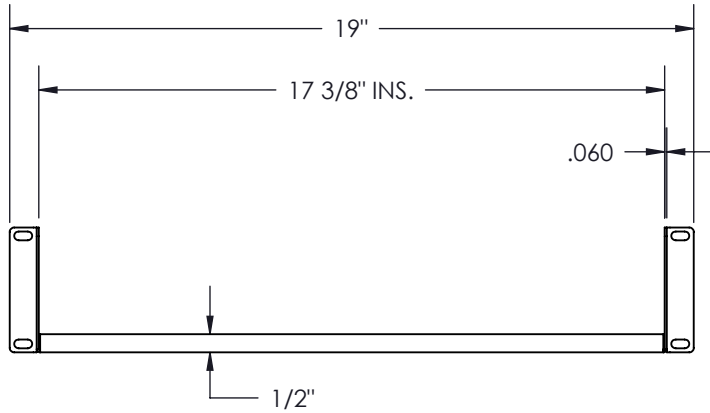



NOTE:  
CAPACITY = 50LBS



 <b>PROPRIETARY AND CONFIDENTIAL</b> THE INFORMATION CONTAINED IN THIS DRAWING IS THE SOLE PROPERTY OF A.I.G. ELECTRON METAL INC. ANY REPRODUCTION IN PART OR AS A WHOLE WITHOUT THE WRITTEN PERMISSION OF A.I.G. ELECTRON METAL INC IS PROHIBITED.	<b>CONFIDENTIEL</b> L'INFORMATION CONTENUE DANS CE DESSIN EST L'ENTIÈRE PROPRIÉTÉ D'ELECTRON METAL A.I.G. INC. TOUTE REPRODUCTION PARTIELLE OU EXHAUSTIVE SANS PERMISSION ÉCRITE D'ELECTRON METAL A.I.G. INC. EST INTERDITE.	DESSINÉ PAR/DRAWN BY:	Title/Titre: <b>CENTER MOUNT SHELF (19) x 24</b>		
		VÉRIFIÉ PAR/CHECKED BY:			
		PROJET/PROJECT: Shelves\FixedShelves\MontageCentral	FICHER/FILE: CenterMntShf19x24_1305028300_ENG	RÉV./REV.: —	
		NO. DE PIÈCE/PART NO.: SHFCMT-190224	NO. DE DESSIN/DRAWING NO.: 1305028300	ÉCHELLE/SCALE: 3:16	DATE: 2010-06-29
					PAGE/SHEET: 1 / 1