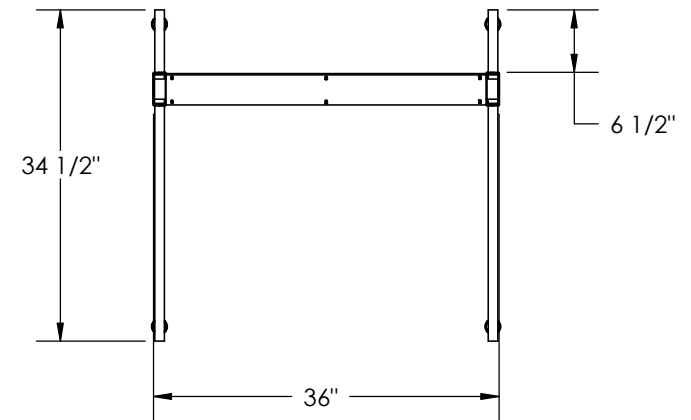
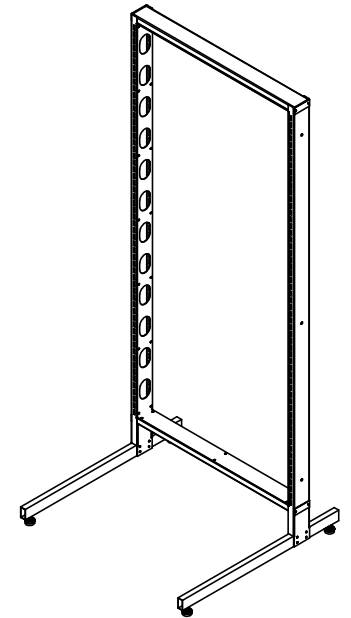



SECTION A-A



SECTION B-B

 <p>PROPRIETARY AND CONFIDENTIAL THE INFORMATION CONTAINED IN THIS DRAWING IS THE SOLE PROPERTY OF A.I.G. ELECTRON METAL INC. ANY REPRODUCTION IN PART OR AS A WHOLE WITHOUT THE WRITTEN PERMISSION OF A.I.G. ELECTRON METAL INC IS PROHIBITED.</p> <p>CONFIDENTIEL L'INFORMATION CONTENUE DANS CE DESSIN EST L'ENTIERE PROPRIÉTÉ D'ELECTRON METAL A.I.G. INC. TOUTE REPRODUCTION PARTIELLE OU EXHAUSTIVE SANS PERMISSION ÉCRITE D'ELECTRON METAL A.I.G. INC. EST INTERDITE.</p>		DESSINÉ PAR/DRAWN BY:	Title/Titre: LAN FRAME 36" x 84" x 34.5"		
		VÉRIFIÉ PAR/CHECKED BY:			
PROJET/PROJECT: LAN		FICHER/FILE: LanRack36x84_1305025343_Eng		REV./REV.:	
NO. DE PIÈCE/PART NO.:	NO. DE DESSIN/DRAWING NO.:	ECHELLE/SCALE:	DATE:	PAGE/SHEET:	
LANFRA-368430	1305025343	1:20	2008-06-03	1 / 1	