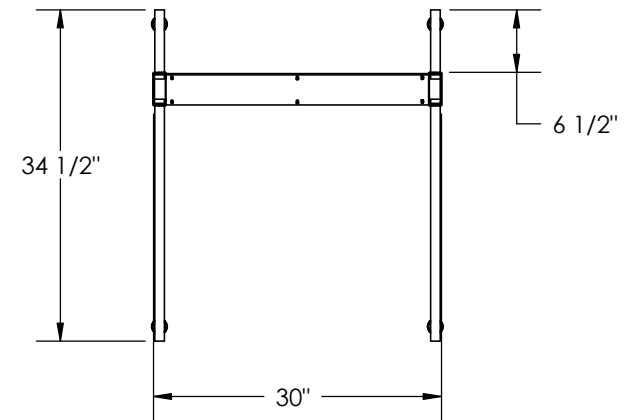
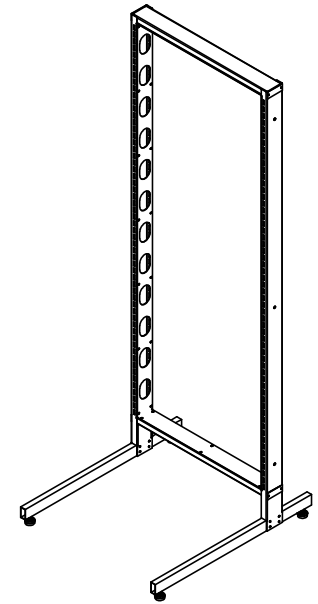



SECTION A-A



SECTION B-B

	DESSINÉ PAR/DRAWN BY:		Title/Titre:		
	VERIFIÉ PAR/CHECKED BY:		LAN FRAME 30" x 84" x 34.5"		
<p>PROPRIETARY AND CONFIDENTIAL THE INFORMATION CONTAINED IN THIS DRAWING IS THE SOLE PROPERTY OF A.I.G. ELECTRON METAL INC. ANY REPRODUCTION IN PART OR AS A WHOLE WITHOUT THE WRITTEN PERMISSION OF A.I.G. ELECTRON METAL INC IS PROHIBITED.</p> <p>CONFIDENTIEL L'INFORMATION CONTENUE DANS CE DESSIN EST L'ENTIERE PROPRIÉTÉ D'ELECTRON METAL A.I.G. INC. TOUTE REPRODUCTION PARTIELLE OU EXHAUSTIVE SANS PERMISSION ÉCRITE D'ELECTRON METAL A.I.G. INC. EST INTERDITE.</p>	PROJET/PROJECT:	FICHER/FILE:		REV./REV.:	
	LAN	LanRack30x84_1305025342_Eng			
	NO. DE PIÈCE/PART NO.:	NO. DE DESSIN/DRAWING NO.:	ECHELLE/SCALE:	DATE:	PAGE/SHEET:
LANFRA-308430	1305025342	1:20	2008-06-03	1 / 1	