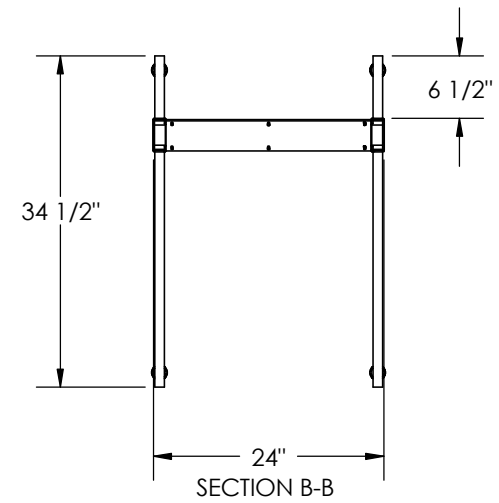
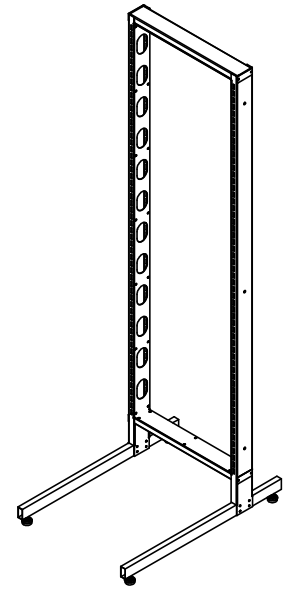



SECTION A-A



SECTION B-B



	DESSINÉ PAR/DRAWN BY:		Title/Titre:	
	VERIFIÉ PAR/CHECKED BY:		LAN FRAME 24" x 84" x 34.5"	
<p><b>PROPRIETARY AND CONFIDENTIAL</b> THE INFORMATION CONTAINED IN THIS DRAWING IS THE SOLE PROPERTY OF A.I.G. ELECTRON METAL INC. ANY REPRODUCTION IN PART OR AS A WHOLE WITHOUT THE WRITTEN PERMISSION OF A.I.G. ELECTRON METAL INC IS PROHIBITED.</p> <p><b>CONFIDENTIEL</b> L'INFORMATION CONTENUE DANS CE DESSIN EST L'ENTIERE PROPRIÉTÉ D'ELECTRON METAL A.I.G. INC. TOUTE REPRODUCTION PARTIELLE OU EXHAUSTIVE SANS PERMISSION ÉCRITE D'ELECTRON METAL A.I.G. INC. EST INTERDITE.</p>	PROJET/PROJECT:	FIGER/FILE:	REV./REV.:	
	Lan	LanRack24x84_1305025341_Eng		
	NO. DE PIÈCE/PART NO.:	NO. DE DESSIN/DRAWING NO.:	ECHELLE/SCALE:	DATE:
LANFRA-248430	1305025341	1:20		1 / 1